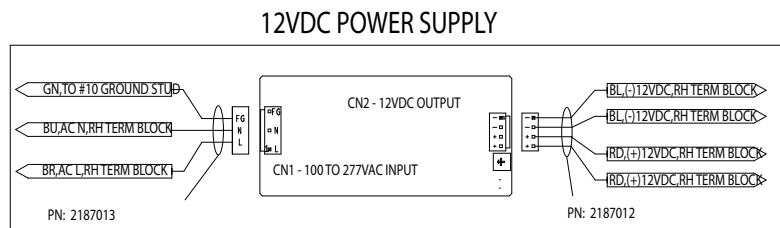
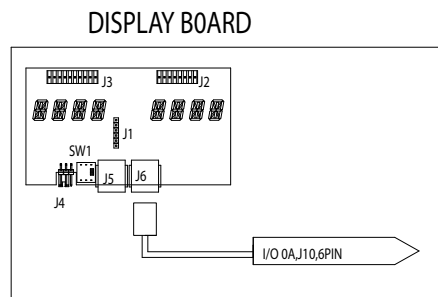
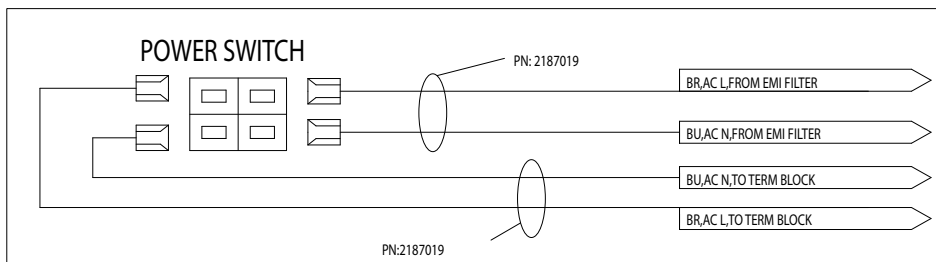
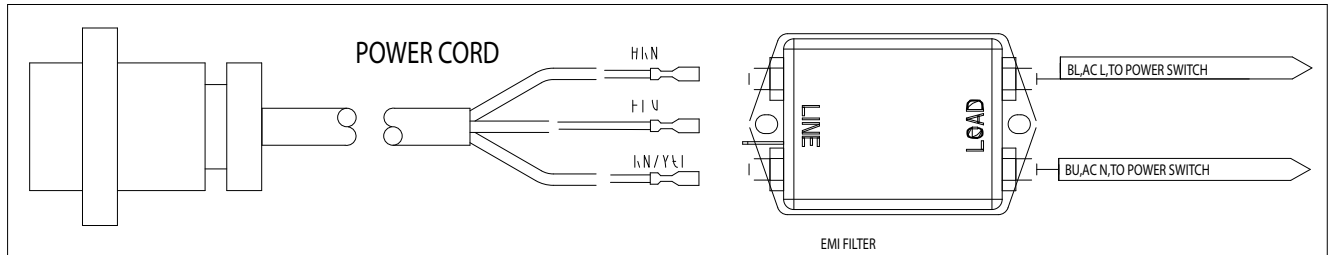


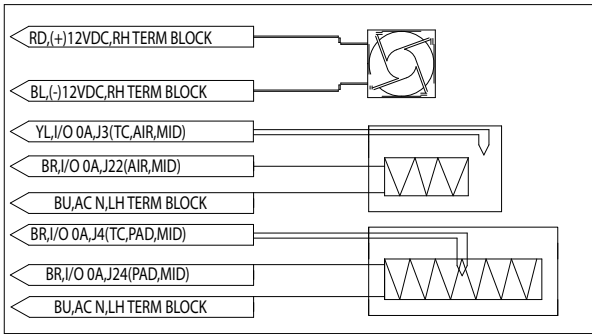
Diagram

Export 4x2 Forced Air Holding Cabinet

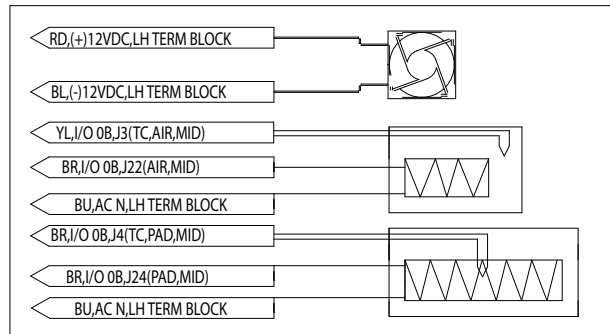
MHCFA42EX



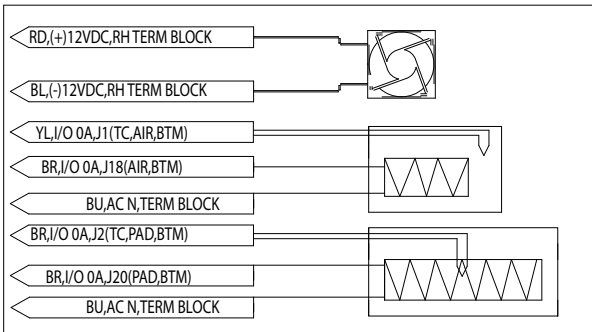
ROW 4 (TOP) - ZONE 4



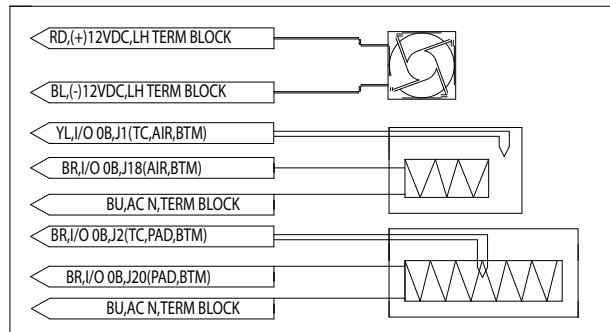
ROW 3 - ZONE 3



ROW 2 - ZONE 2



ROW 1 (BOTTOM) - ZONE 1



RH - TERMINAL BLOCK

