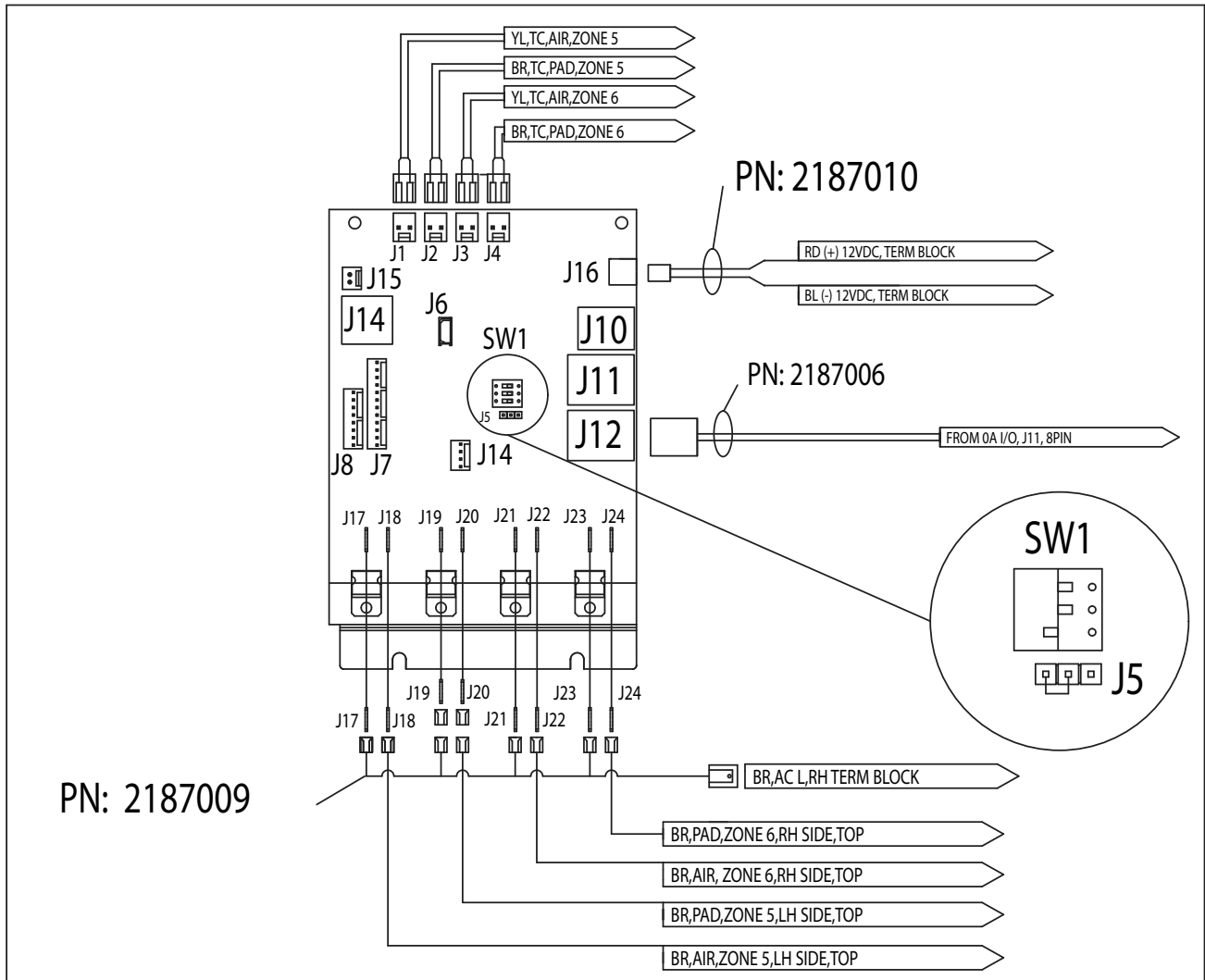


Diagram

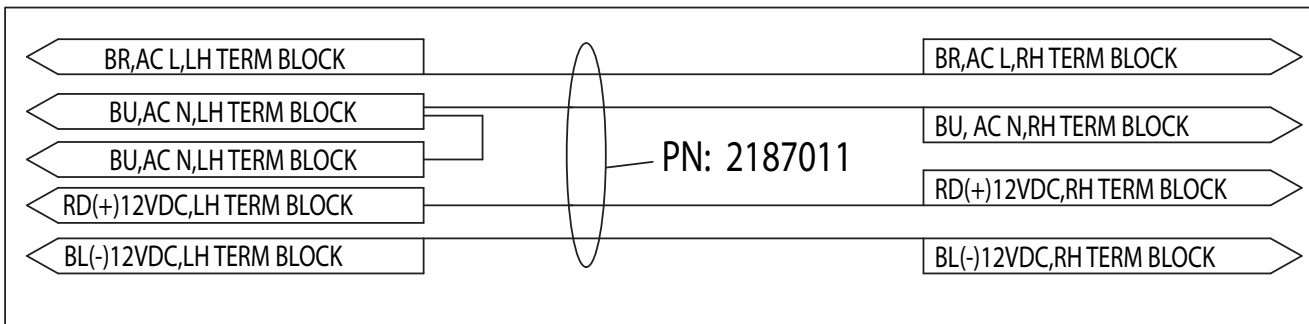
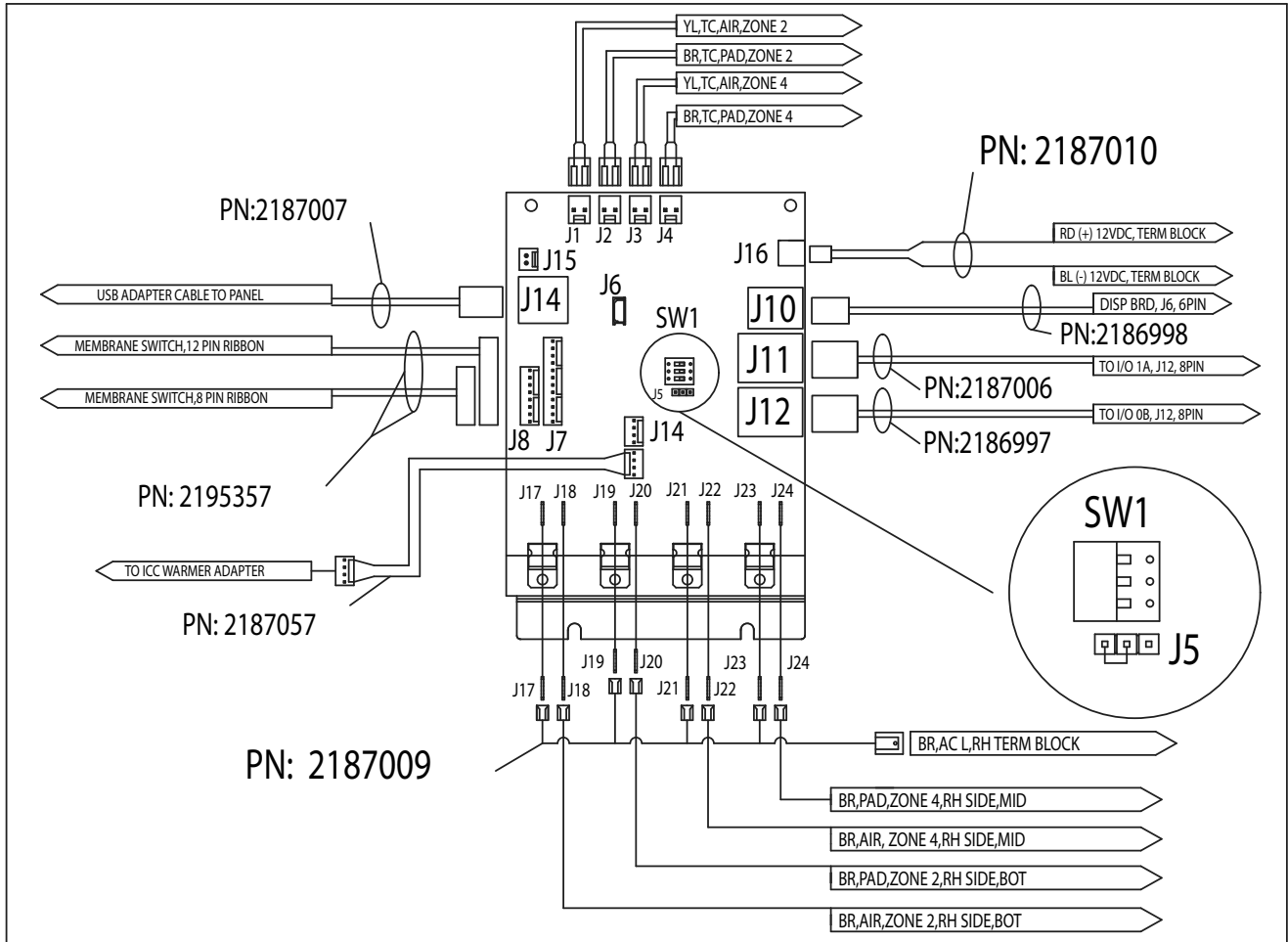
Export 3x4 Forced Air Holding Cabinet

MHCFA34EX

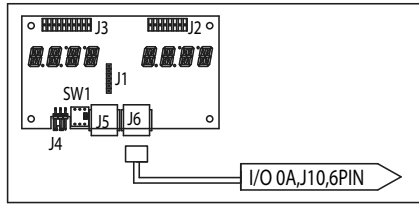
I/O 1A BOARD - ZONES 5 AND 6



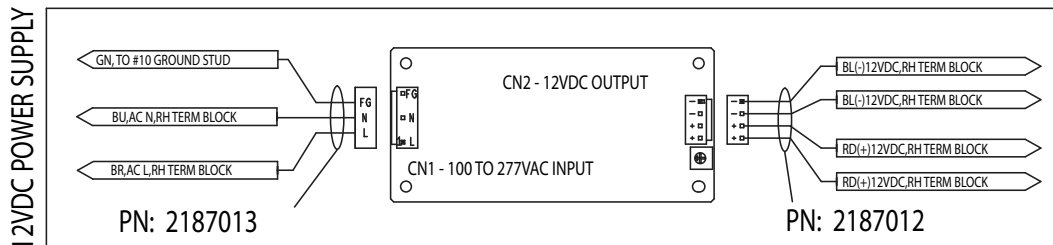
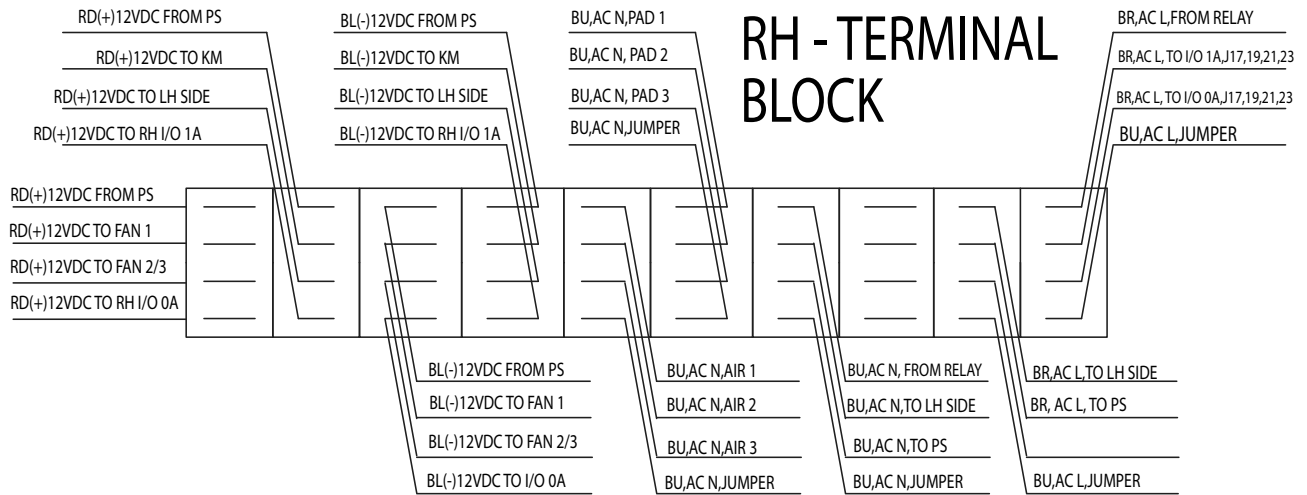
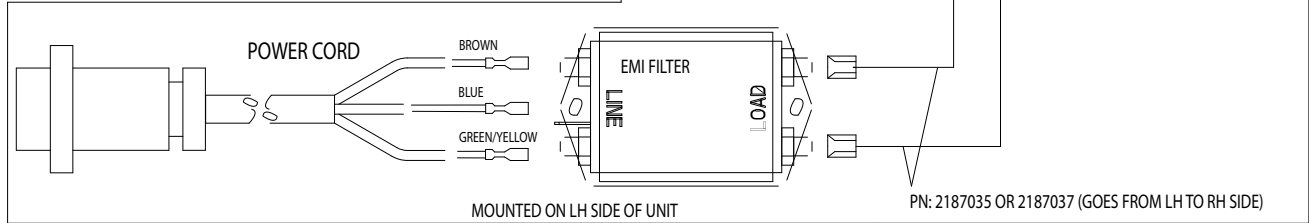
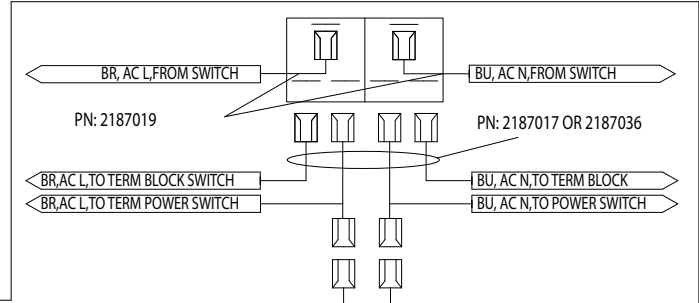
I/O 0A BOARD - ZONES 2 AND 4

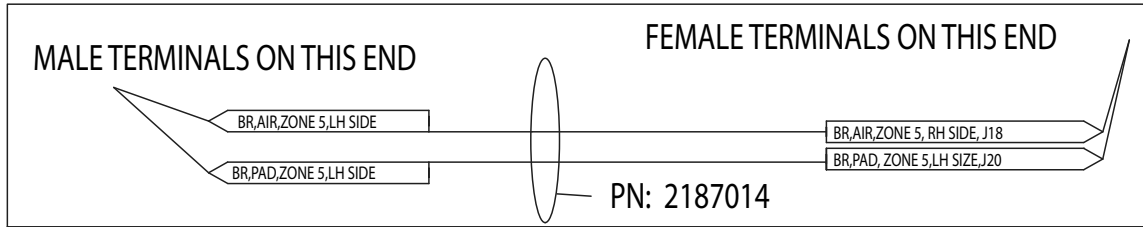


DISPLAY BOARD

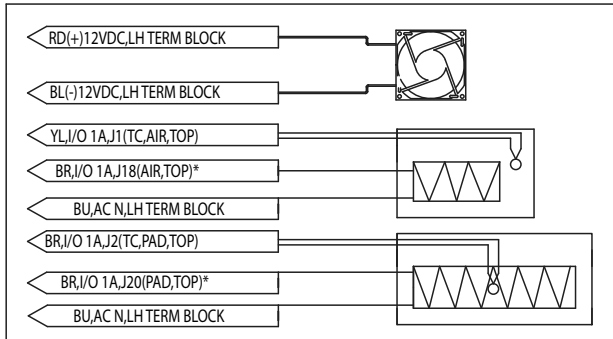


INPUT POWER RELAY



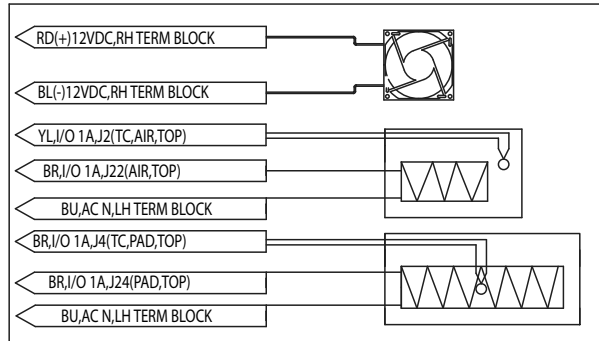


LH - TOP ZONE - ZONE 5

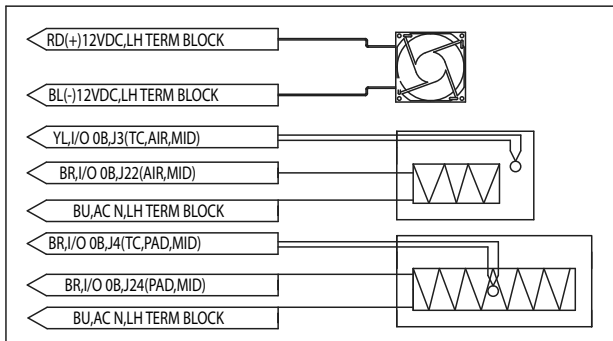


*CONNECT AC LINE (BROWN) LEADS TO PROPER TERMINALS ON HARNESS 2187014

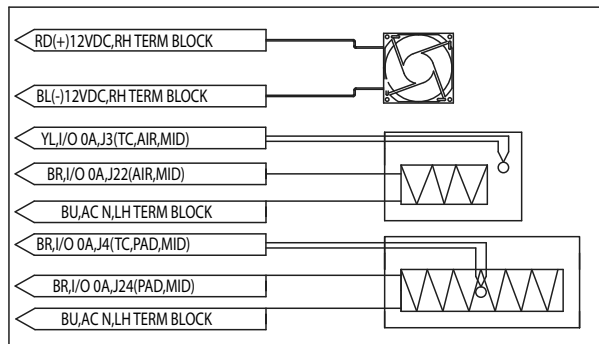
RH - TOP ZONE - ZONE 6



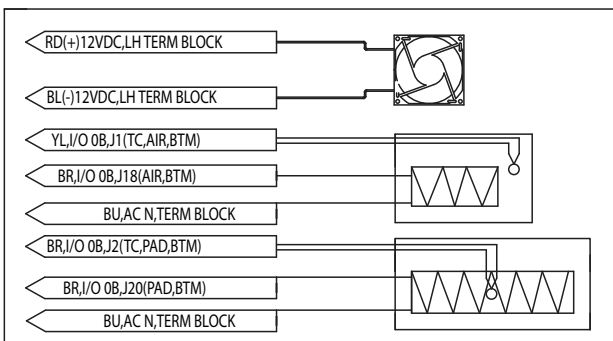
LH - MIDDLE ZONE - ZONE 3



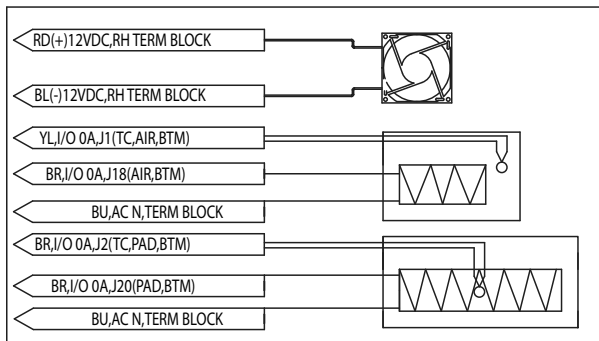
RH - MIDDLE ZONE - ZONE 4

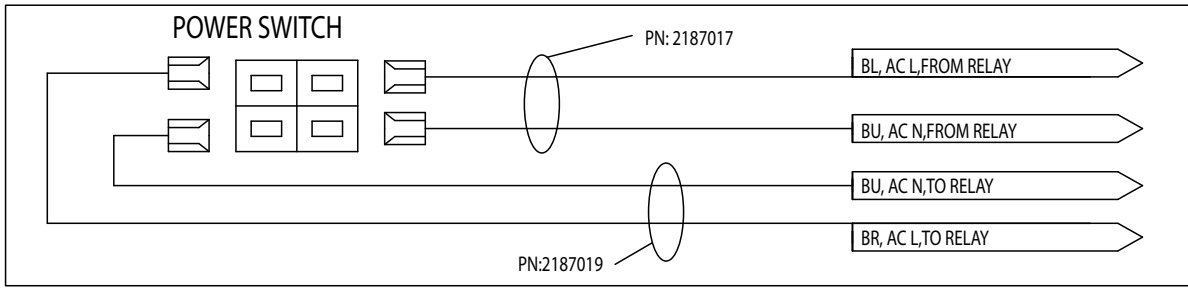


LH - BOTTOM ZONE - ZONE 1

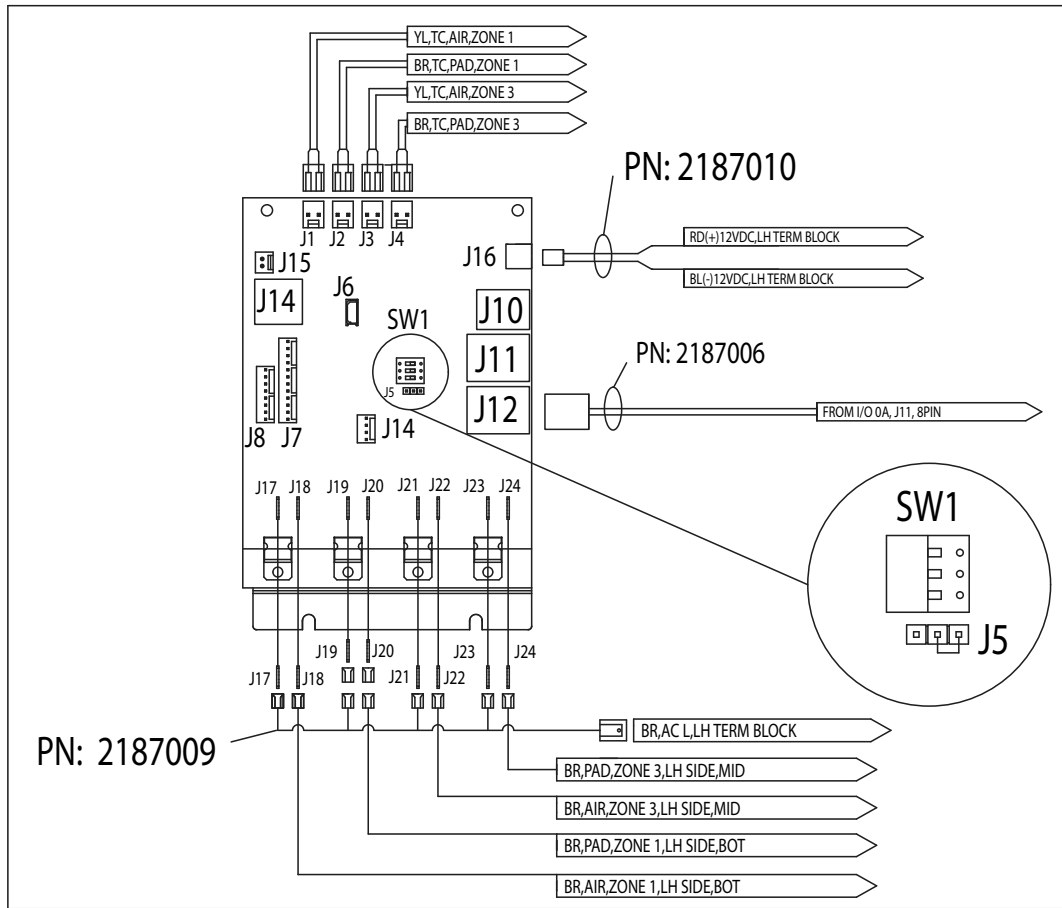


RH - BOTTOM ZONE - ZONE 2





I/O OB BOARD - ZONES 1 AND 3



**LH -
TERMINAL BLOCK**

