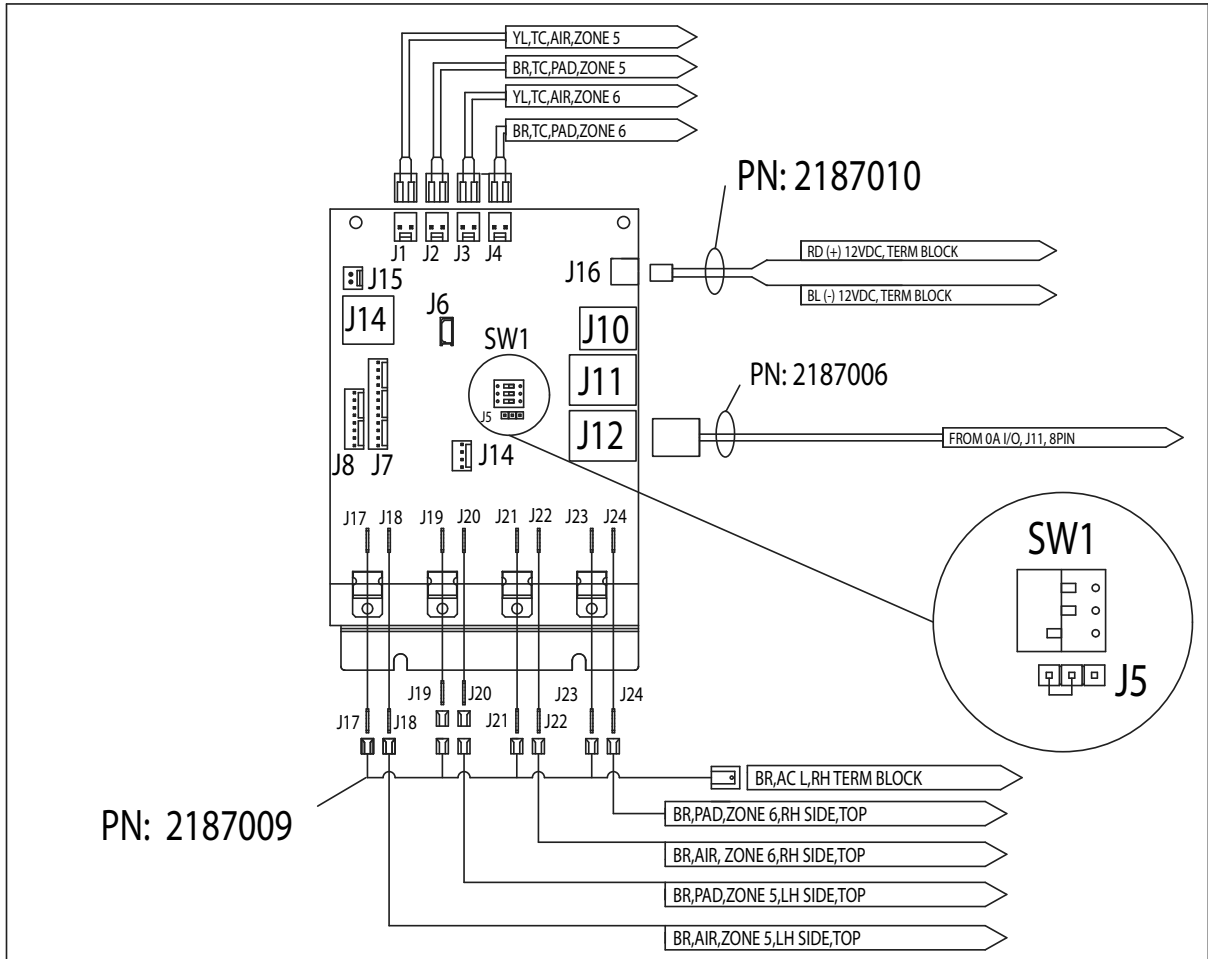


Diagram

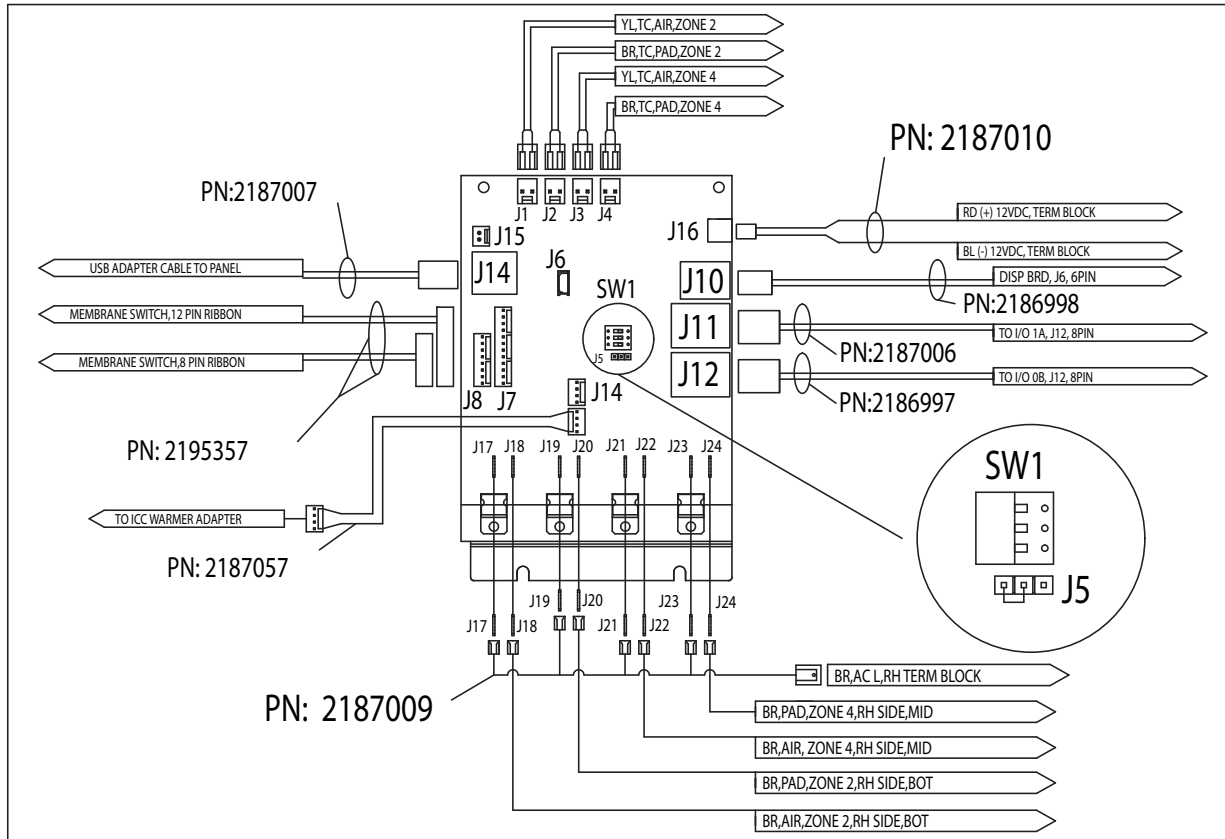
Domestic 3x4 Forced Air Holding Cabinet

MHCFA34

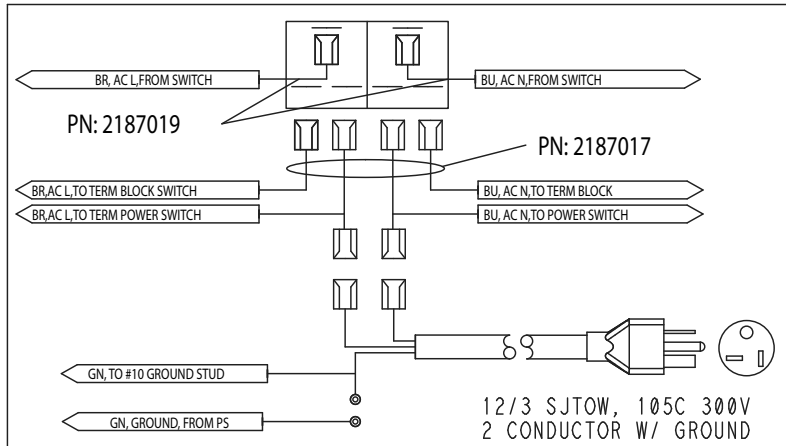
I/O 1A BOARD - ZONES 5 AND 6



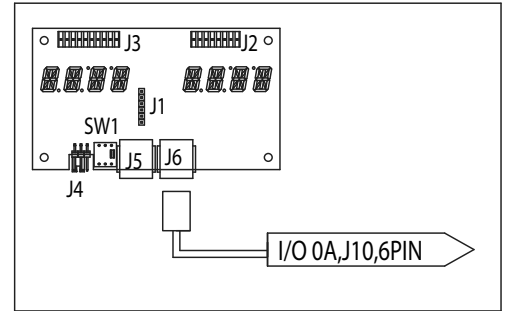
I/O OA BOARD - ZONES 2 AND 4



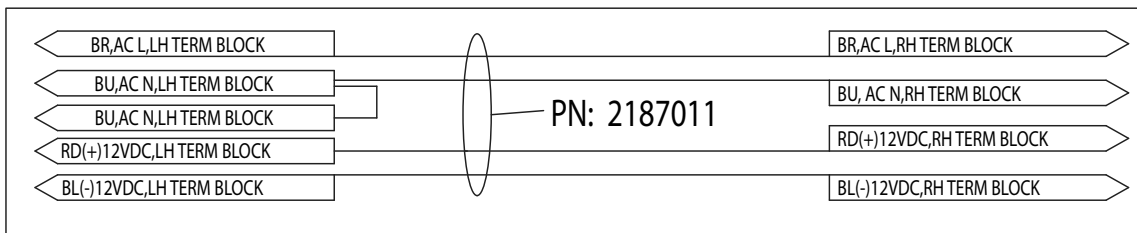
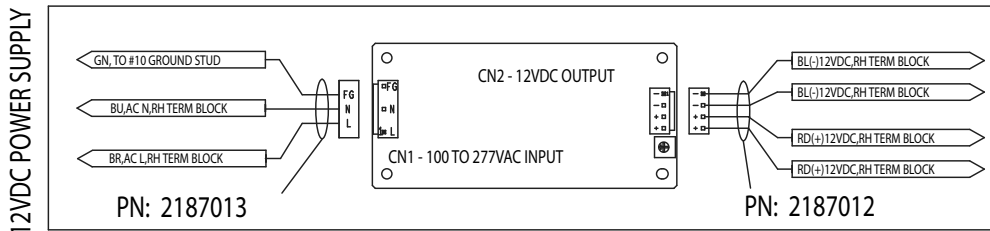
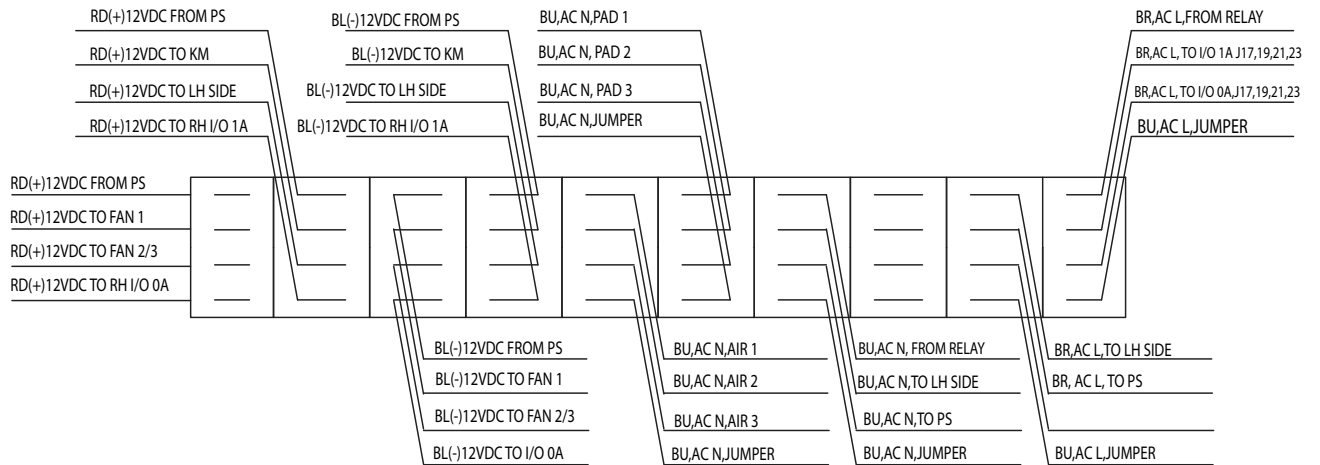
INPUT POWER RELAY

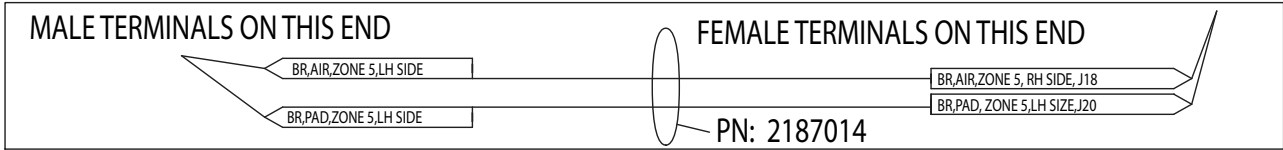


DISPLAY BOARD

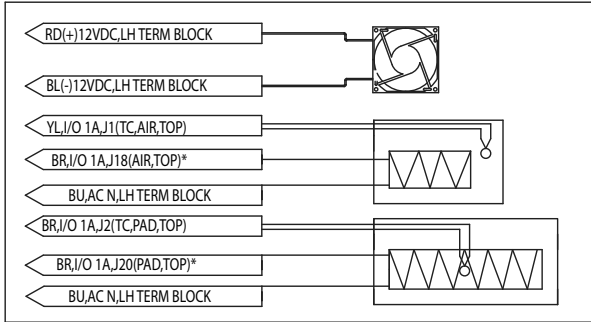


RH - TERMINAL BLOCK

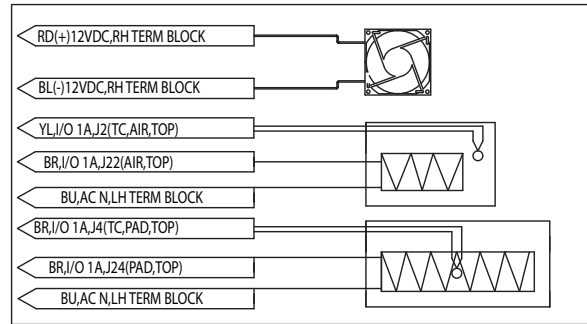




LH - TOP ZONE - ZONE 5

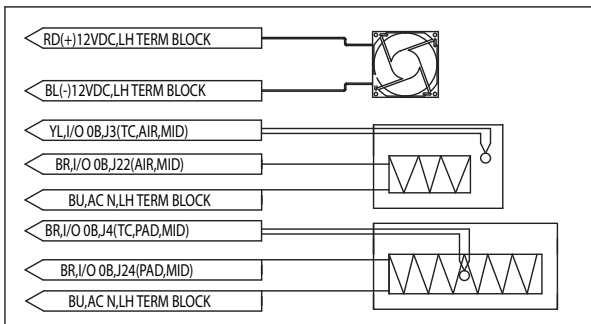


RH - TOP ZONE - ZONE 6

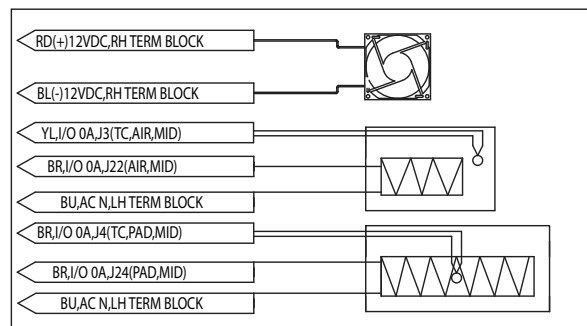


*CONNECT AC LINE (BROWN) LEADS TO PROPER TERMINALS ON HARNESS 2187014

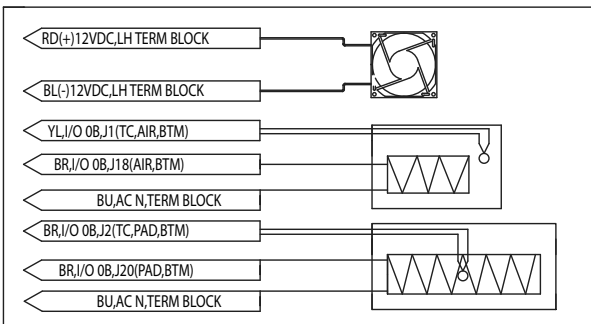
LH - MIDDLE ZONE - ZONE 3



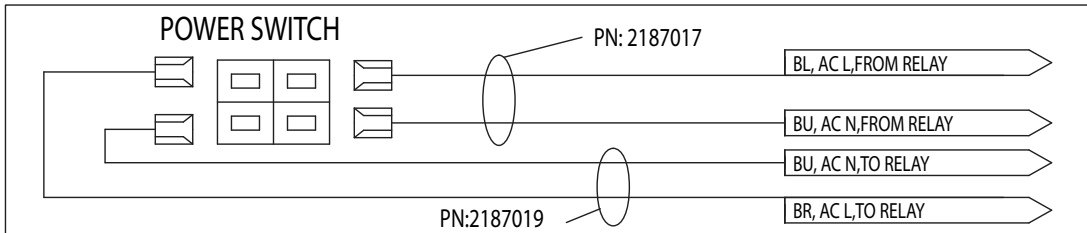
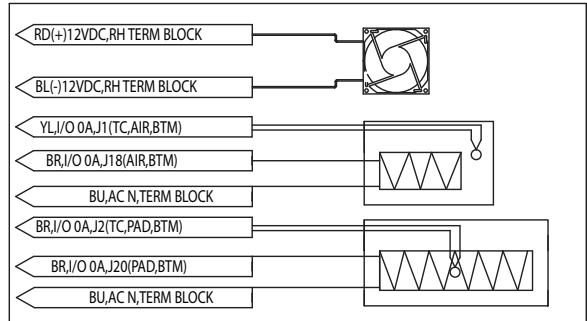
RH - MIDDLE ZONE - ZONE 4



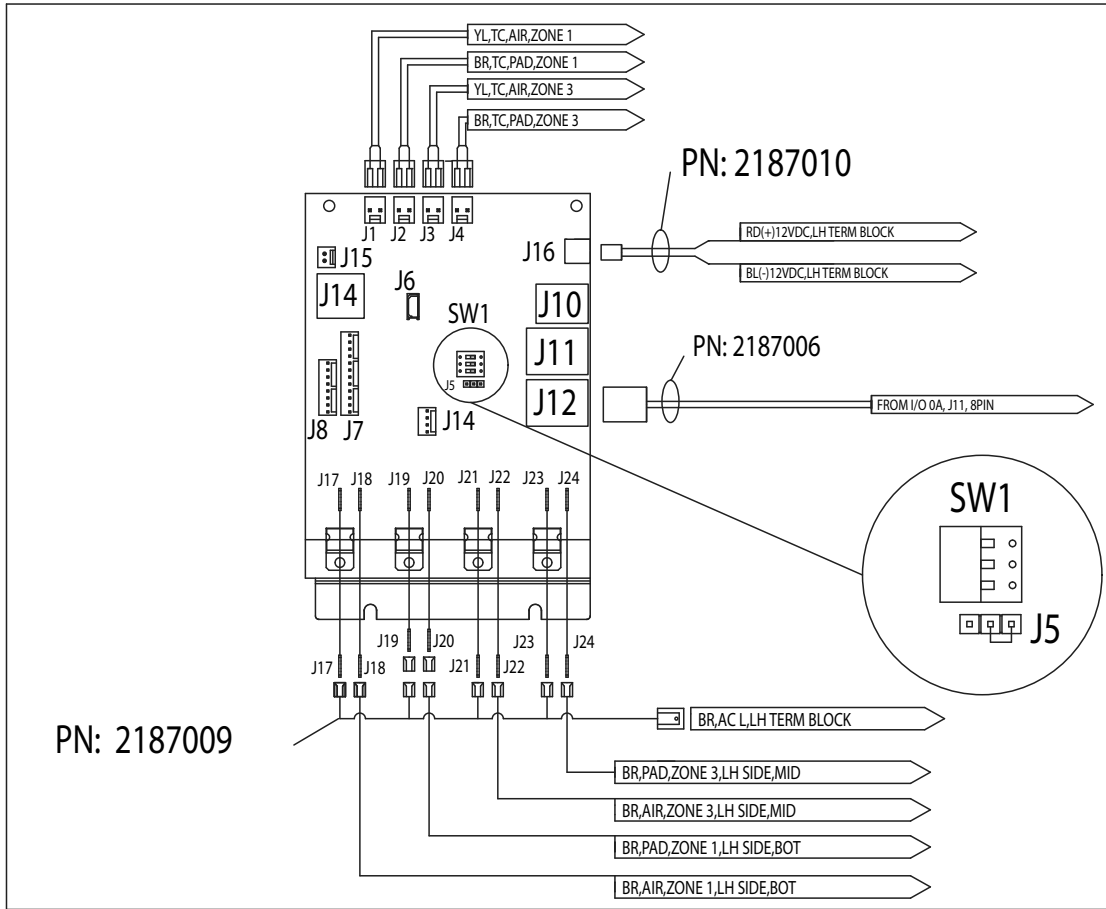
LH - BOTTOM ZONE - ZONE 1



RH - BOTTOM ZONE - ZONE 2



I/O OB BOARD - ZONES 1 AND 3



LH - TERMINAL BLOCK

