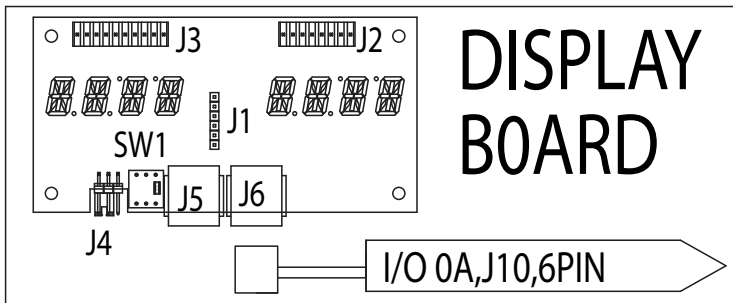
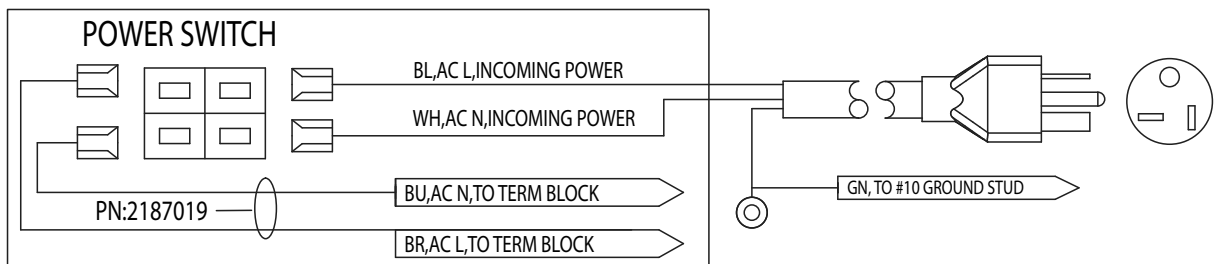
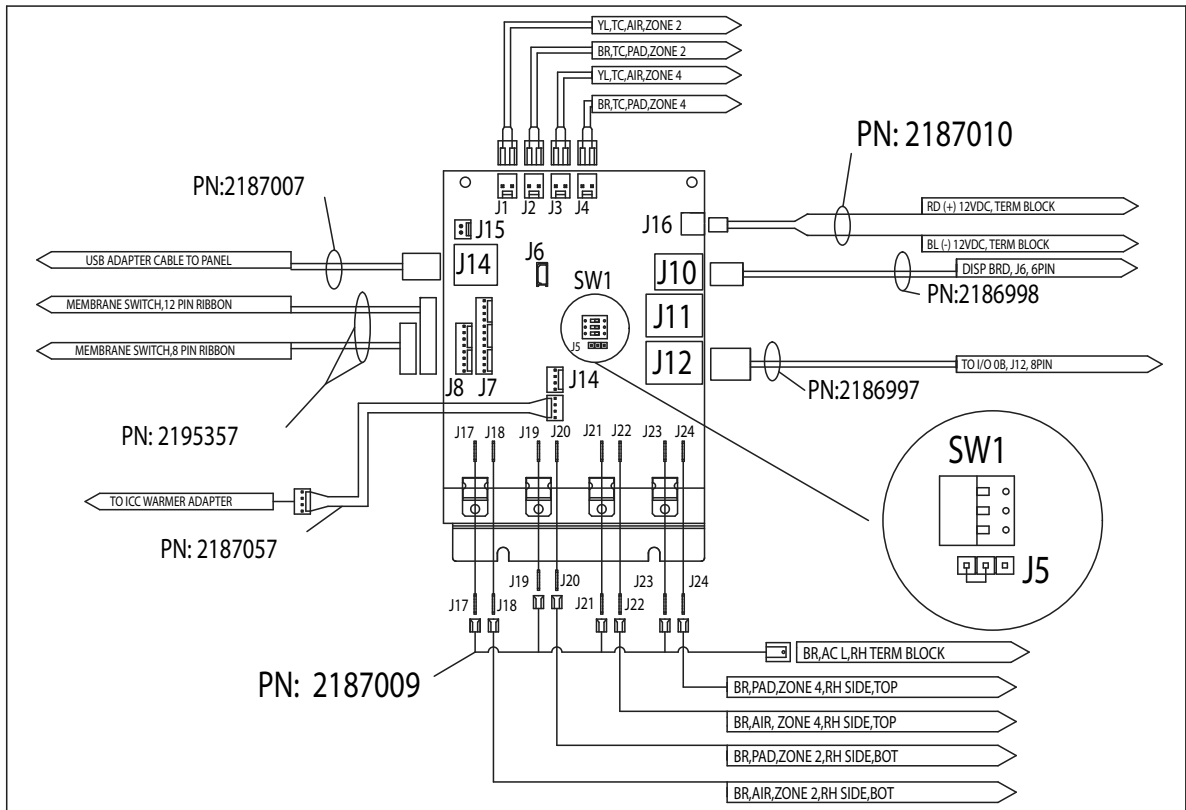
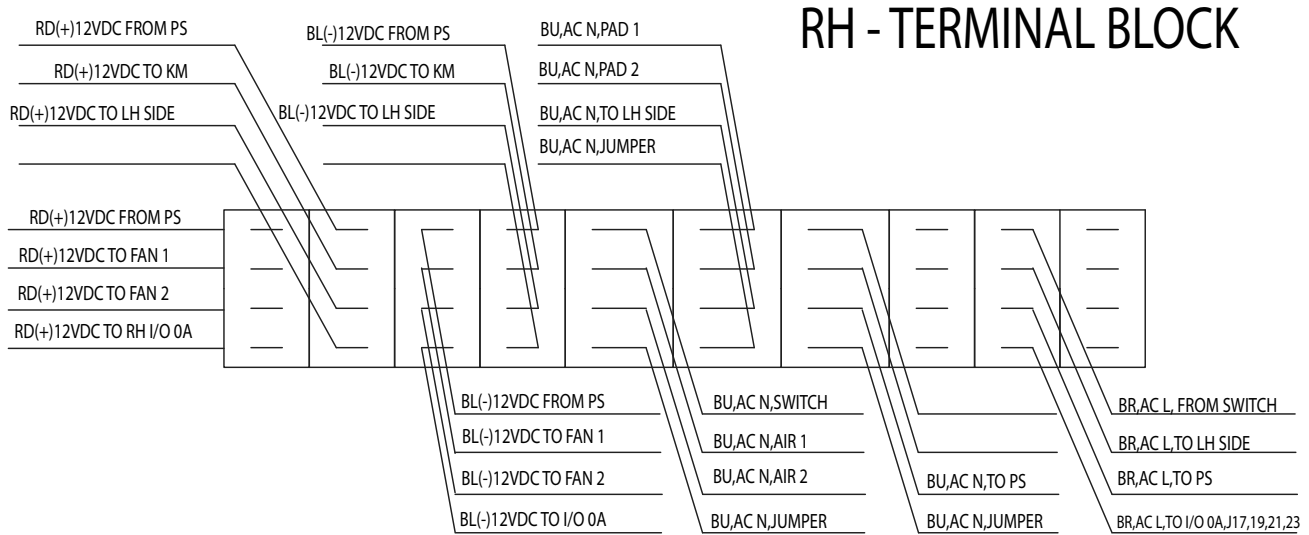
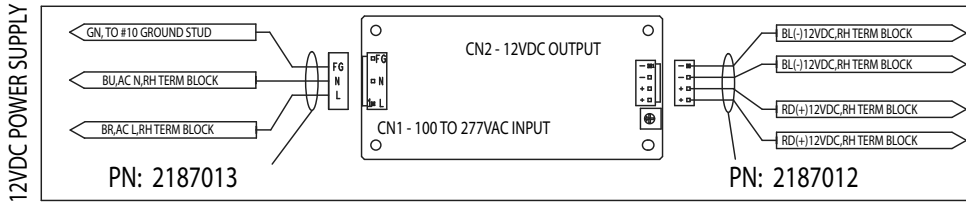


Diagram

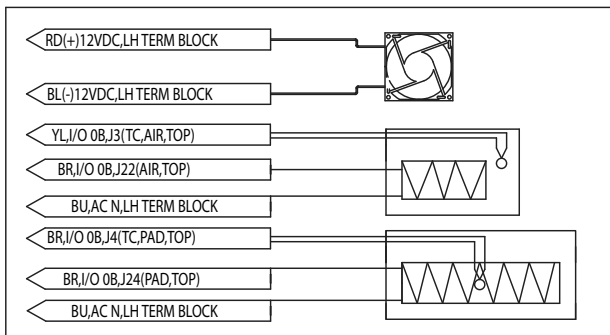
Domestic 2x3 & 2x4 Forced Air Holding Cabinets MHCFA23 & MHCFA24

I/O OA BOARD - ZONES 2 AND 4

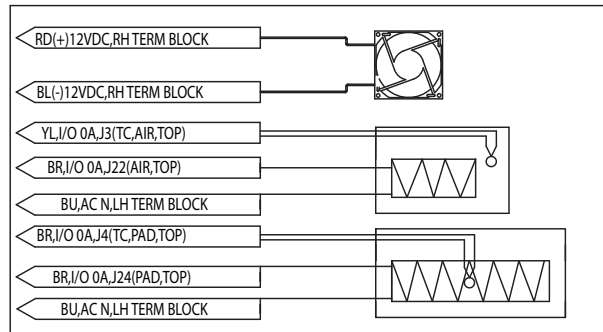




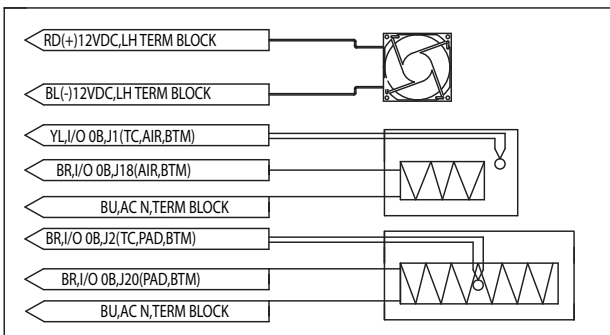
LH - TOP ZONE - ZONE 3



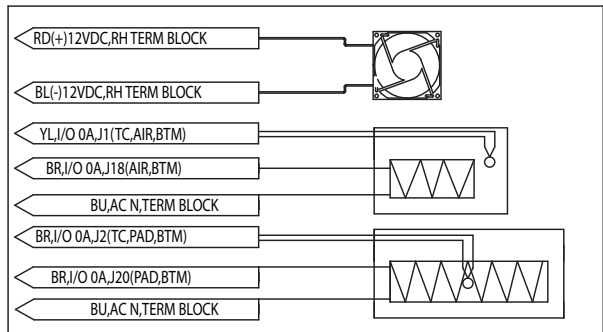
RH - TOP ZONE - ZONE 4

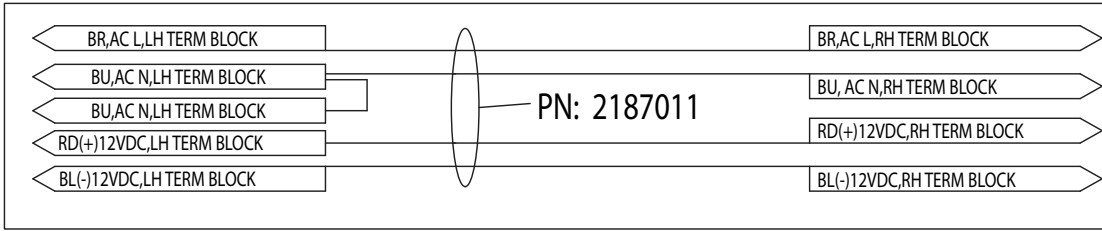


LH - BOTTOM ZONE - ZONE 1

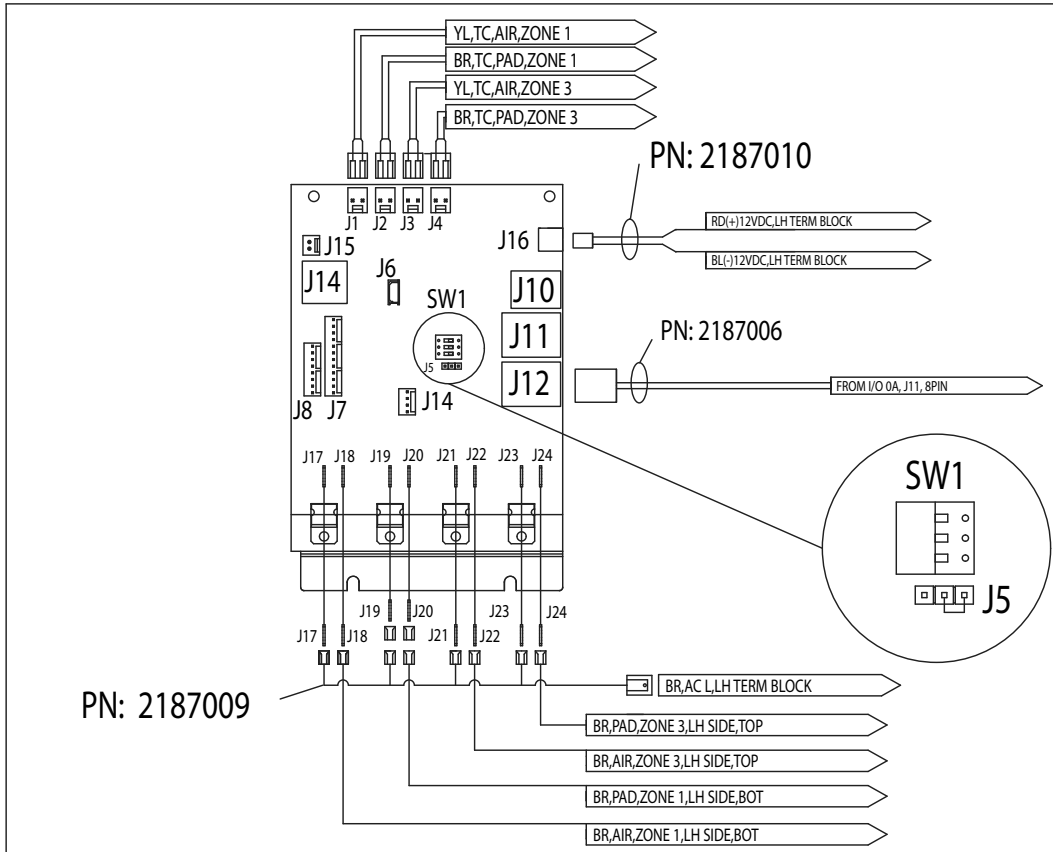


RH - BOTTOM ZONE - ZONE 2





I/O OB BOARD - ZONES 1 AND 3



LH - TERMINAL BLOCK

