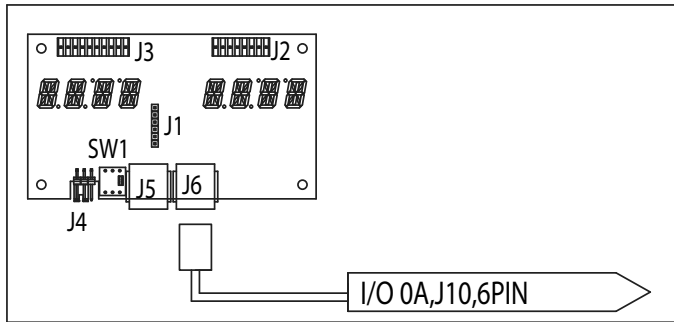


# Diagram

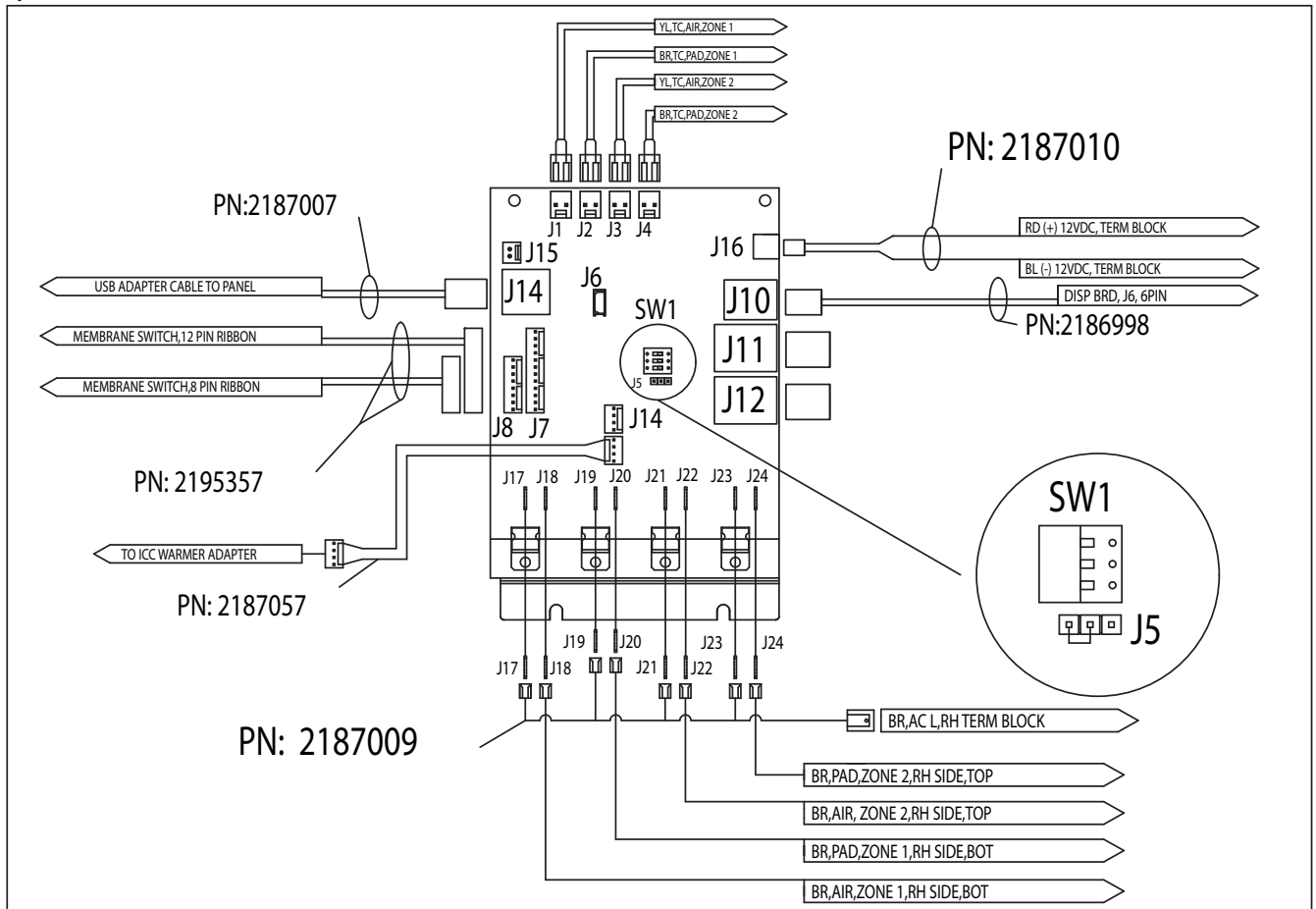
## Domestic 2x2 Forced Air Holding Cabinet

MHCFA22

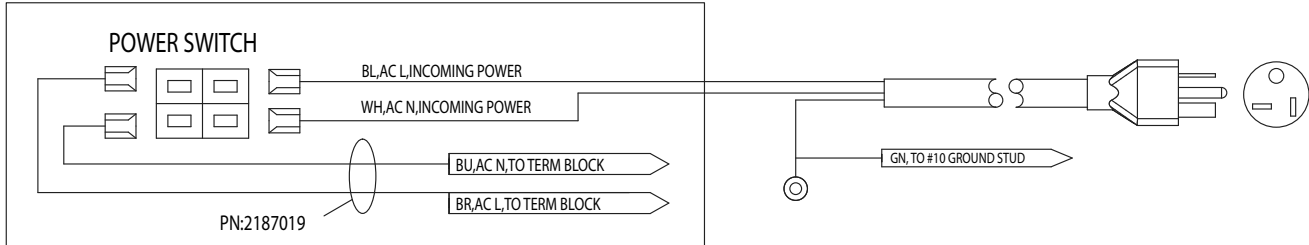
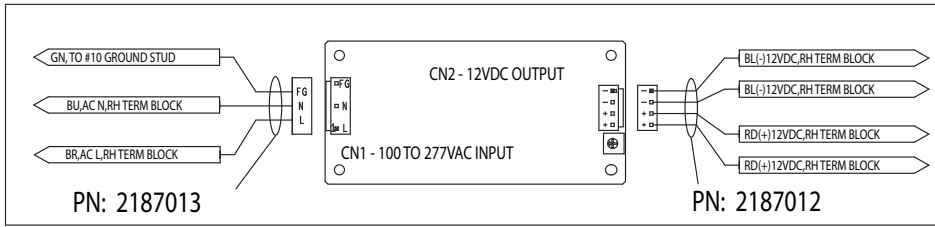
### DISPLAY BOARD



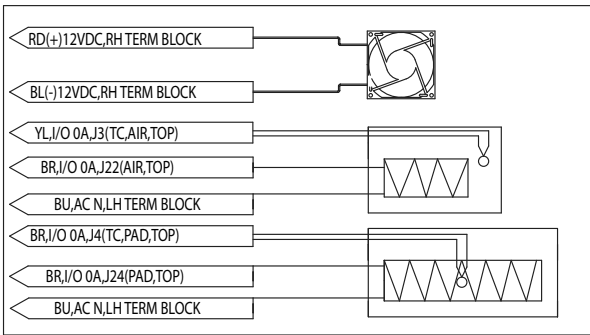
### I/O 0A BOARD - ZONES 1 AND 2



**12VDC POWER SUPPLY**



**RH - TOP ZONE - ZONE 2**



**RH - BOTTOM ZONE - ZONE 1**

