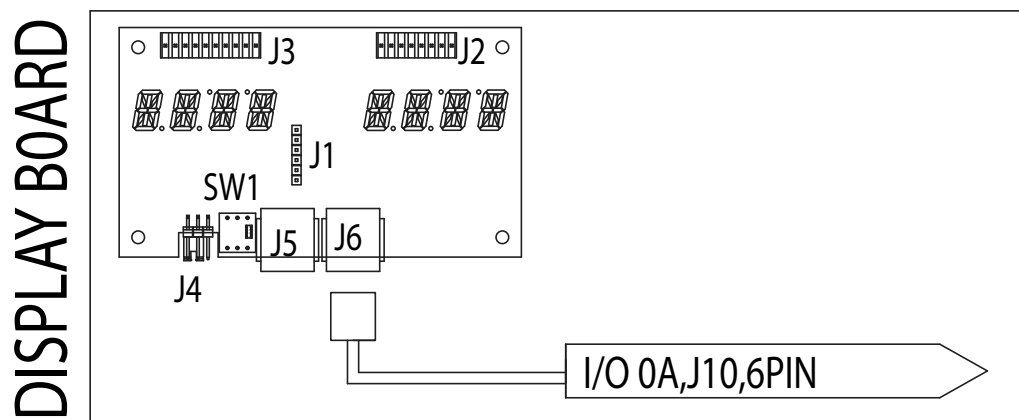
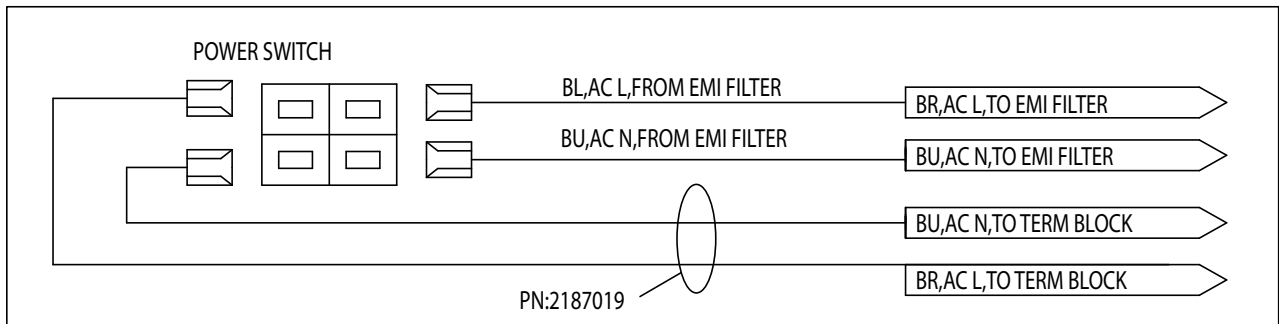
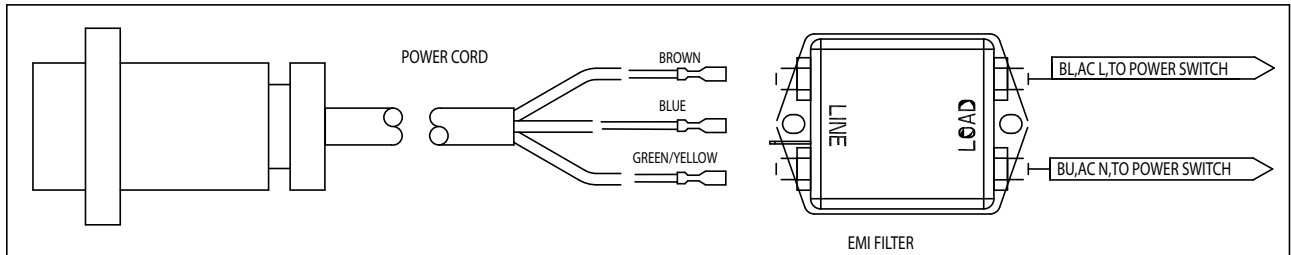


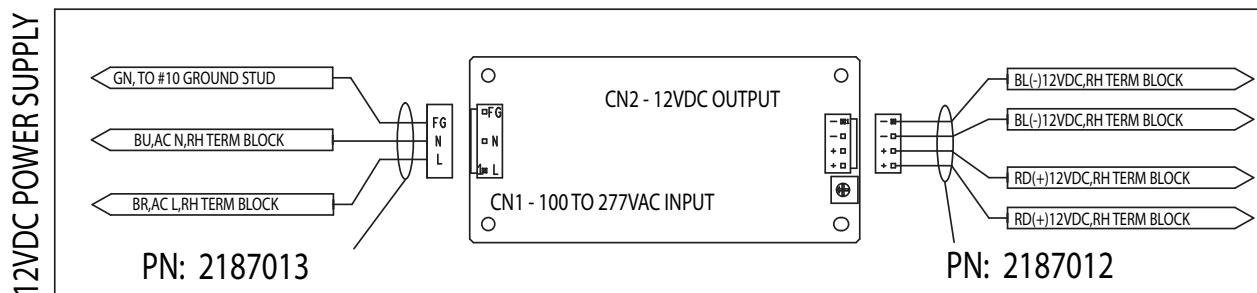
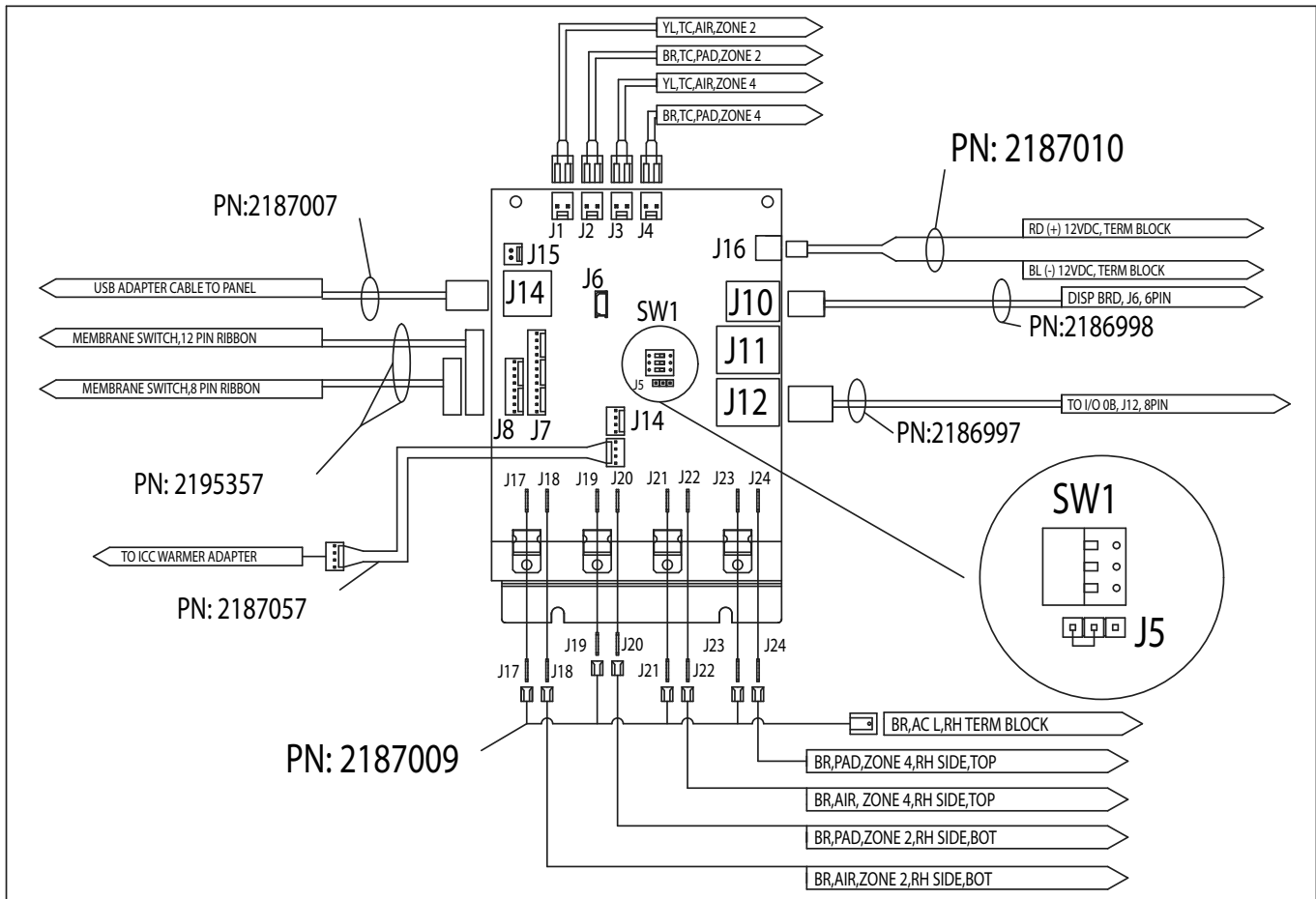
Diagram

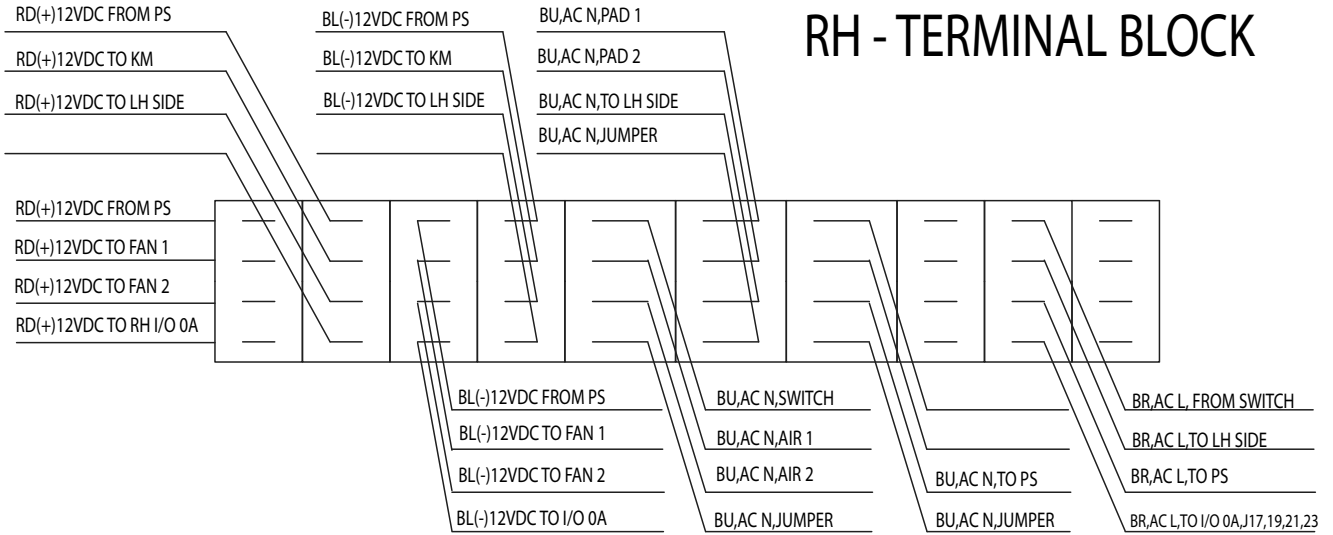
Export 2x3 & 2x4 Forced Air Holding Cabinets

MHCFA23EX & MHCFA24EX

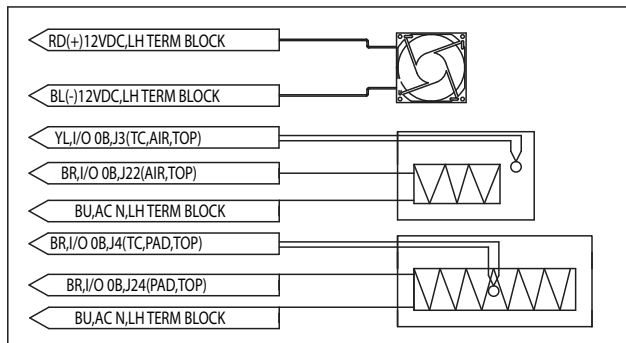


I/O 0A BOARD - ZONES 2 AND 4

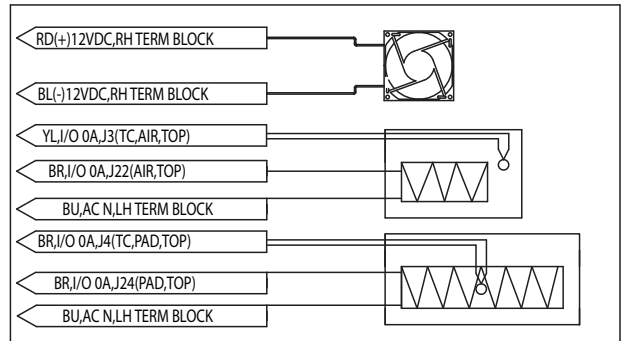




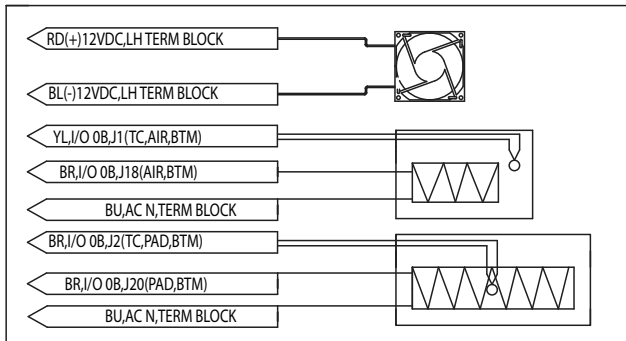
LH - TOP ZONE - ZONE 3



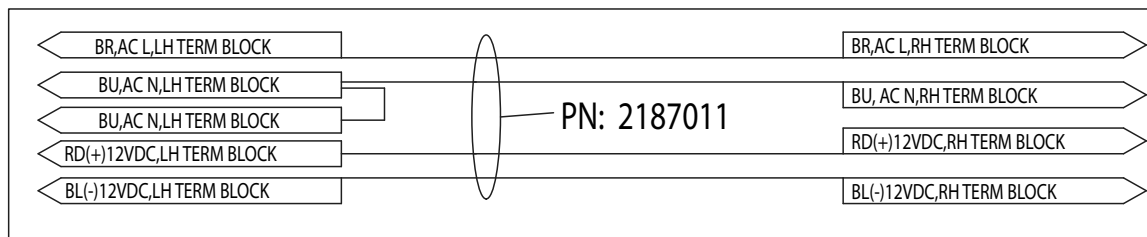
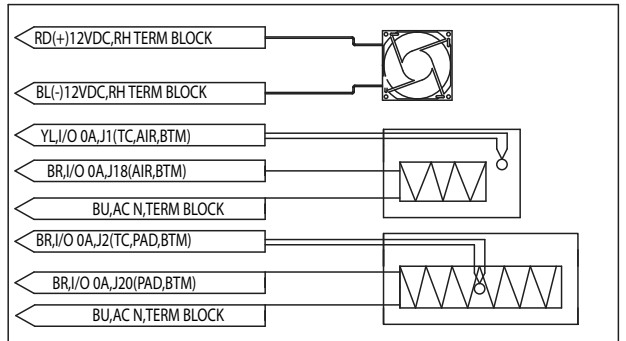
RH - TOP ZONE - ZONE 4



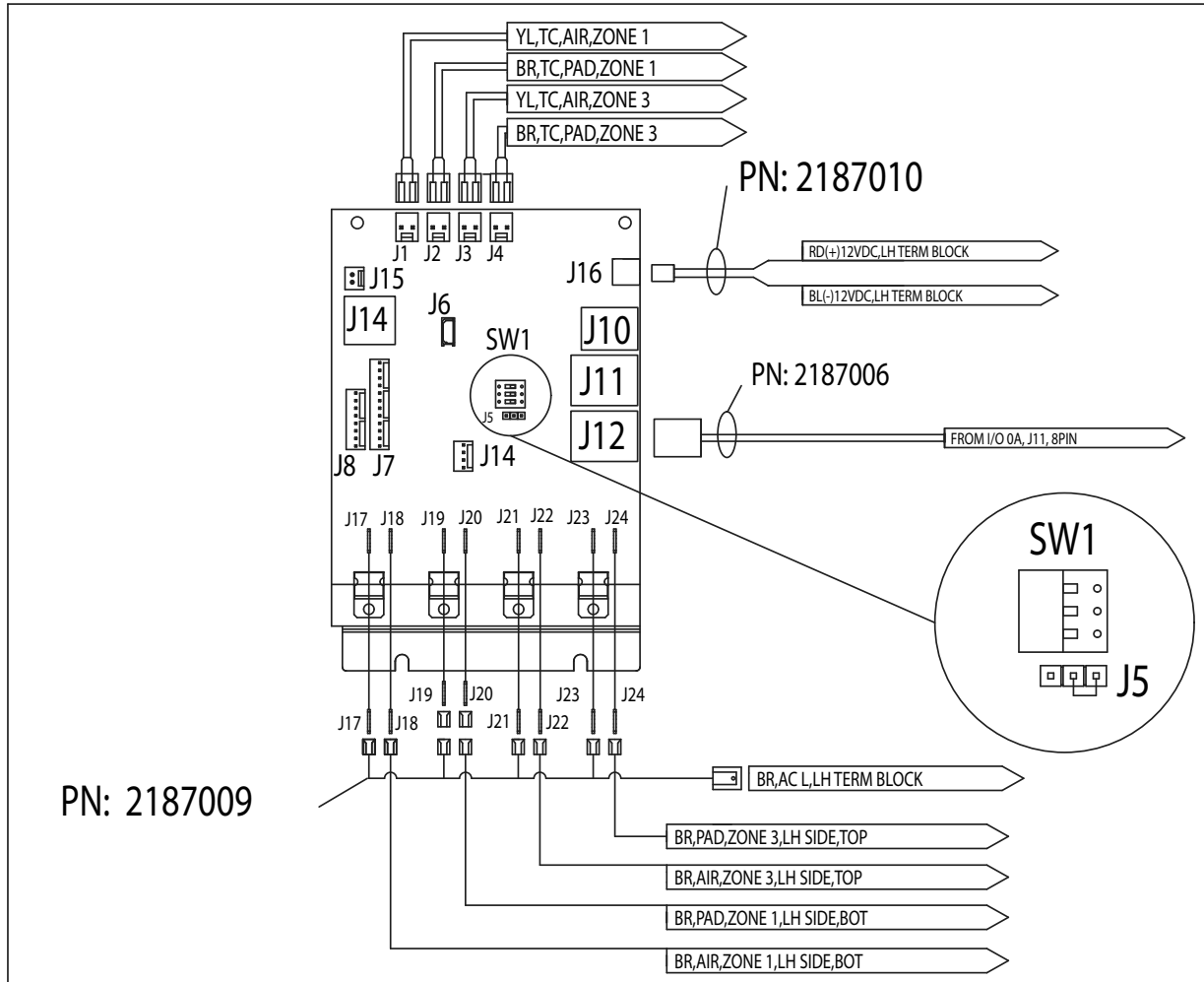
LH - BOTTOM ZONE - ZONE 1



RH - BOTTOM ZONE - ZONE 2



I/O OB BOARD - ZONES 1 AND 3



LH - TERMINAL BLOCK

