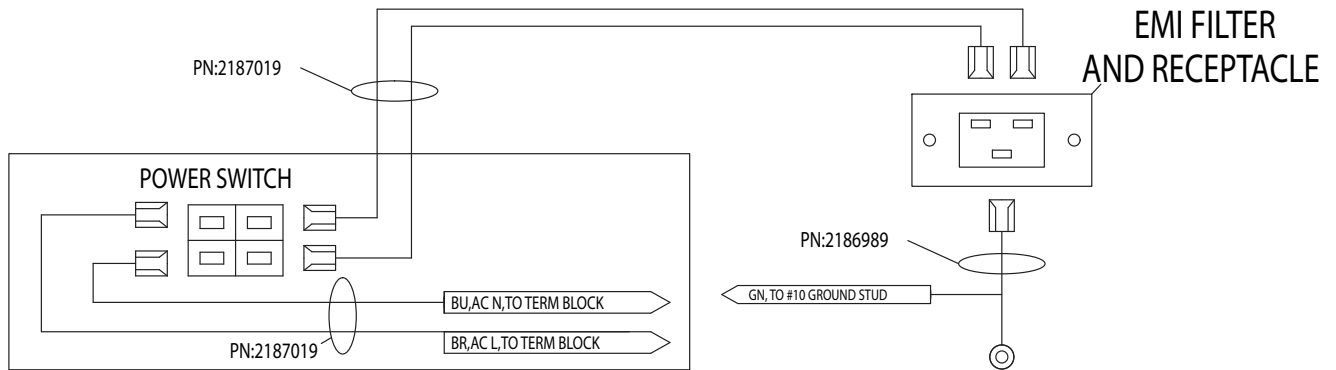


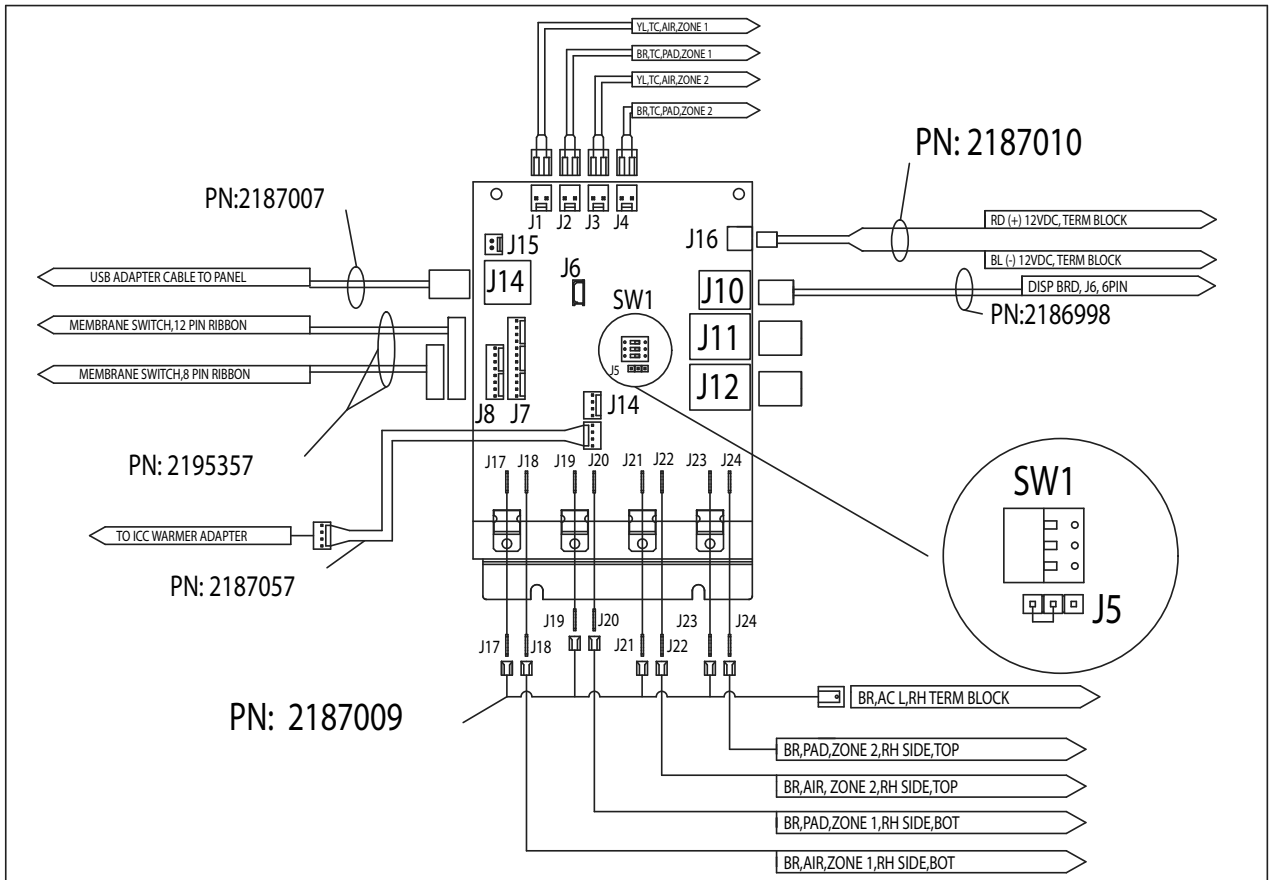
Diagram

Export 2x2 Forced Air Holding Cabinet

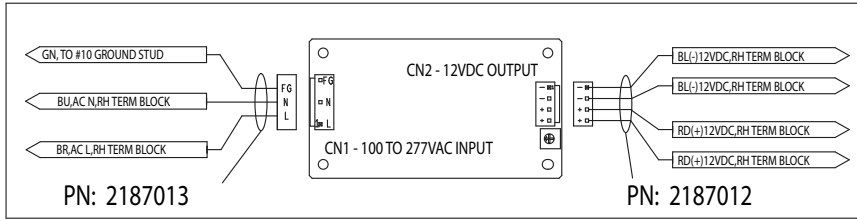
MHCFA22EX



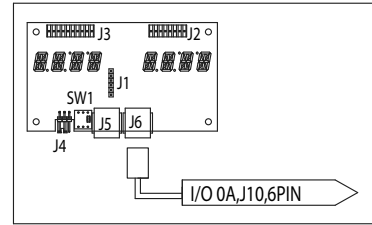
I/O BOARD - ZONES 1 AND 2



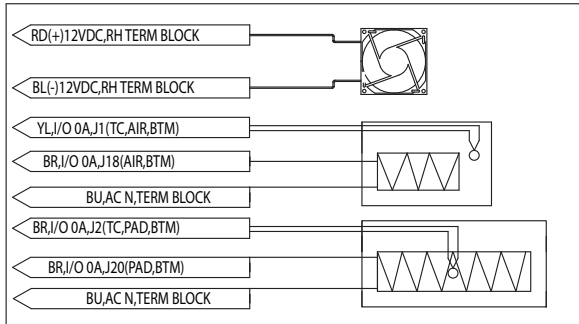
12VDC POWER SUPPLY



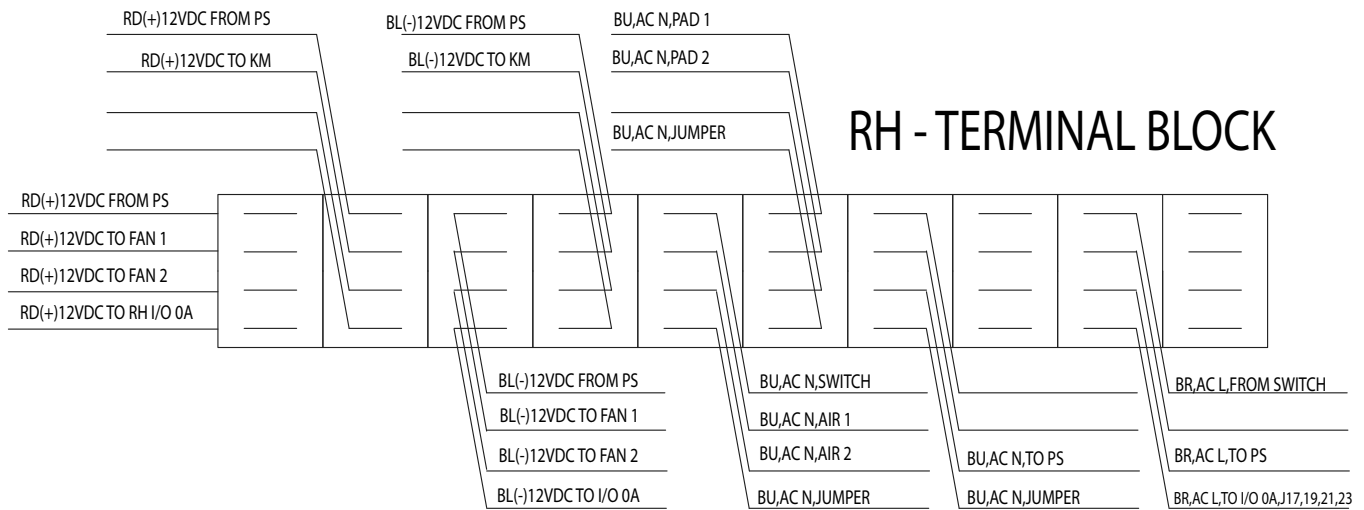
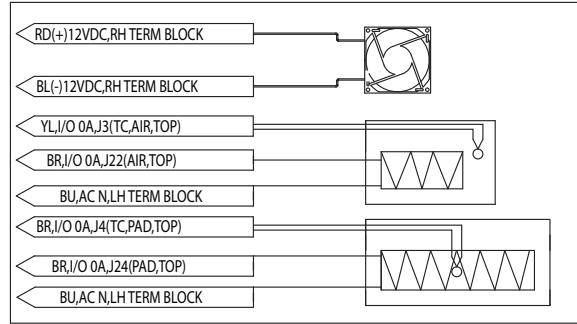
DISPLAY BOARD



RH - BOTTOM ZONE - ZONE 1



RH - TOP ZONE - ZONE 2



RH - TERMINAL BLOCK