

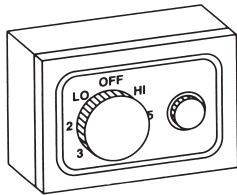
# Overhead Food Warmers

EZFW-18X, 24X, 30X, 36X, 48X, 54X, 60X, 72X  
EZNW-18X, 24X, 30X, 36X, 48X, 60X, 72X

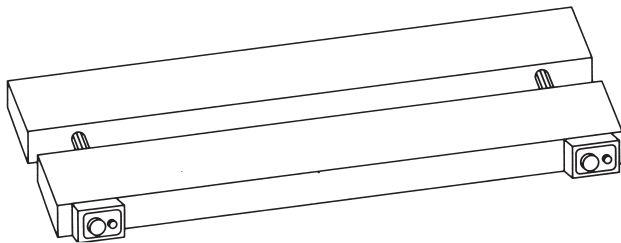
## Options and Accessories



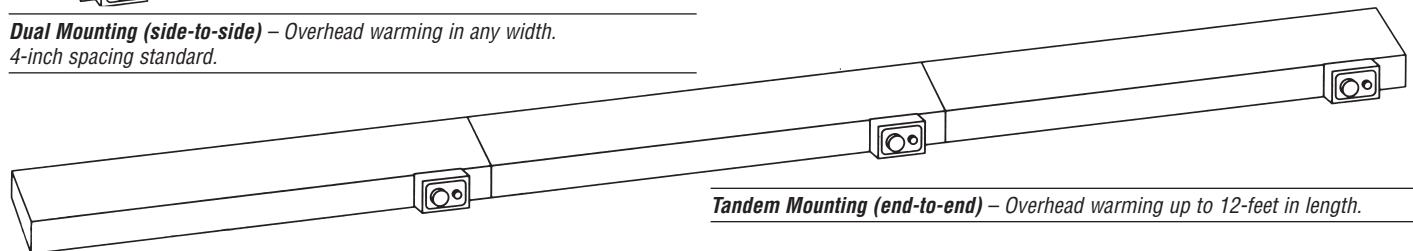
Ceiling mount bracket also available in Slimline series.



**Infinitely Adjustable Heat Controls** – “Dial-in” the perfect temperature for any food. Includes pilot light.

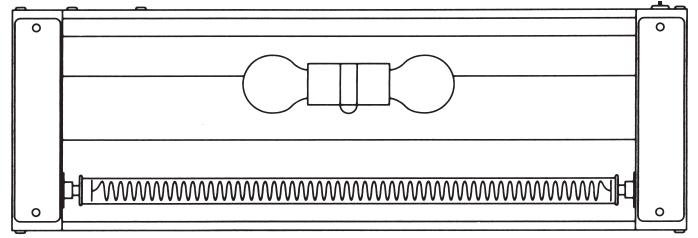


**Dual Mounting (side-to-side)** – Overhead warming in any width. 4-inch spacing standard.

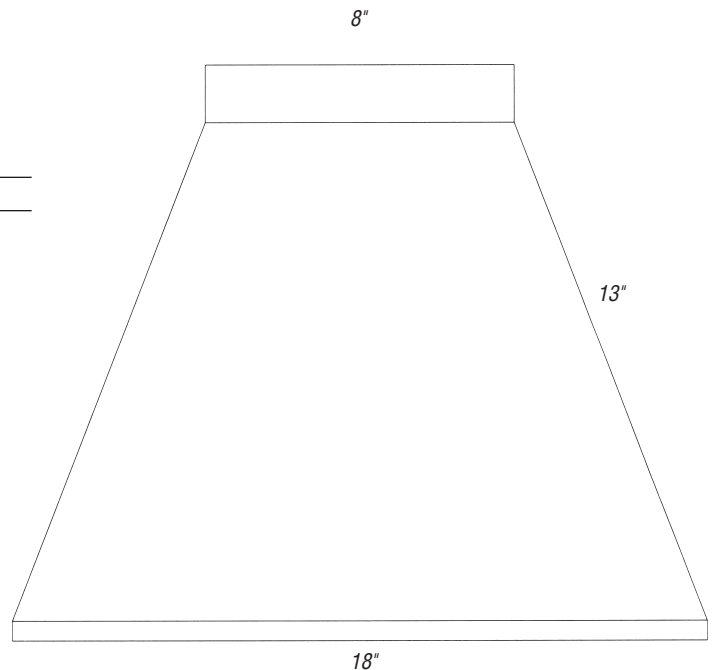


**Tandem Mounting (end-to-end)** – Overhead warming up to 12-feet in length.

8" wide model shown. 5" wide models have lights located on the outside of the unit.



**Bright Incandescent Lighting**– Show off foods in their best light.



Extra wide heat pattern

 **Merco Savory**

Enodis

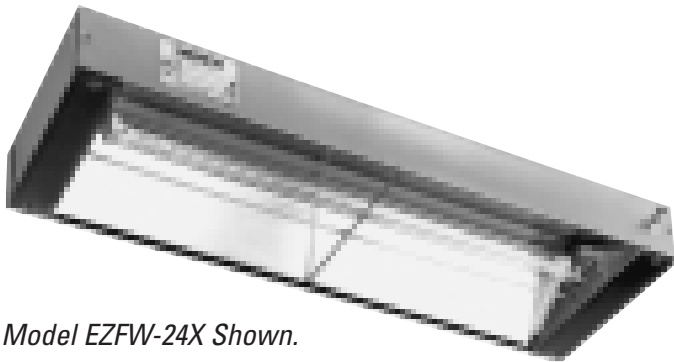
1111 North Hadley Road  
P.O. Box 1229  
Fort Wayne, IN 46801-1229  
Phone: (260) 459-8200 / Fax: (260) 459-8240  
Toll Free 800 547-2513

EZFW-XOHW

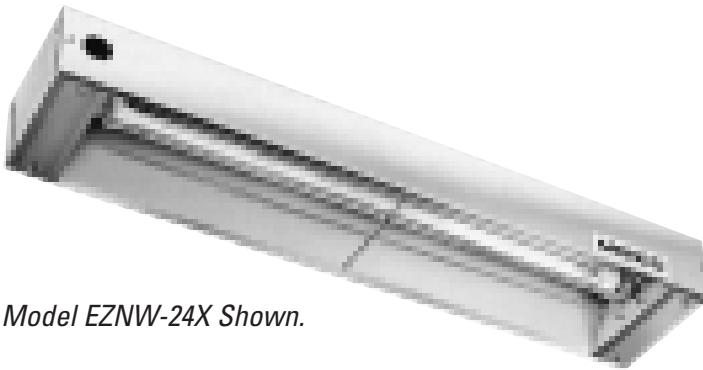
## Overhead Food Warmers

EZFW-18X, 24X, 30X, 36X, 48X, 54X, 60X, 72X  
EZNW-18X, 24X, 30X, 36X, 48X, 60X, 72X

**Keep cooked foods fresh,  
hot and appetizing...  
Ideal for pass-through windows!**



Model EZFW-24X Shown.



Model EZNW-24X Shown.

### Standard Features

- Heavy-duty stainless steel and aluminum alloy construction
- Merco's patented EZ-Insert heat tubes.
- On/off switch.
- Basic mounting brackets.

Merco's Overhead Food Warmers are manufactured from durable stainless steel and aluminum alloys. All models feature Merco's patented EZ-Insert heat tube for thorough yet gentle warming. Standard (EZFW) models are 8-inches deep; Slimline® (EZNW) are 5-inches deep for mounting in narrow areas. The efficient design produces an even, 18-inch deep heat pattern over the entire length of the unit to hold cooked foods at their peak of flavor... without continued cooking or drying out. On/off switch and basic mounting brackets are provided as standard equipment.

Merco Overhead Food Warmers are available with a wide range of options and accessories that make them one of the most versatile overhead warmers that you can buy. See last page for information on options and accessories.

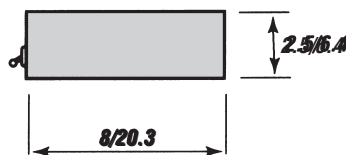
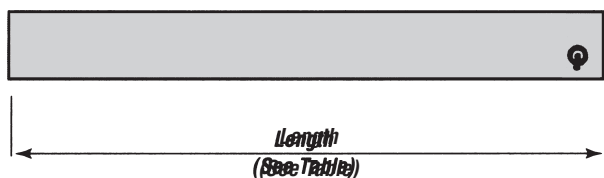
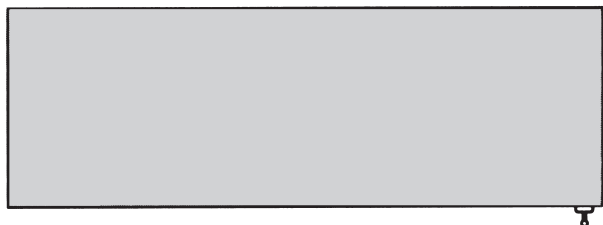
### Electrical Requirements

All models are available in 120, 208, or 240VAC, single phase. Note: Standard 8-inch deep units are available with optional incandescent lighting – add 40 watts per linear foot; voltages will be 120, 120/208, or 120/240.

# Standard Models (8-Inch Depth)

EZFW-18X, 24X, 30X, 36X, 48X, 54X, 60X, 72X

## Dimensions (inches/cm)



## Bid Specifications for Standard Overhead Food Warmers

The Standard 8-inch deep overhead warmer shall be a Merco model number \_\_\_\_\_, rated at \_\_\_\_\_ watts, \_\_\_\_\_ volts, single phase AC.

Standard equipment shall include

- Stainless steel exterior shell
- On/off switch
- Basic mounting bracket
- Merco EZ-Insert heat tube(s)

## Options

Bright incandescent lighting

Infinite heat control with integrated pilot light **Note:** Remote is strongly recommended

Remote On/Off Switch

Pilot light (with on/off switch)

Cordset 6-foot, 15 amp (all others, consult factory)

Tandem mount (end-to-end; max. length 12-feet)

Dual mount (side-to-side; 4-inch spacing standard)

Special wattage (consult factory)

"EZ" insert metal heat tube

## Accessories

Chain suspension kit P/N 050003

Ceiling mounting brackets P/N 088317

Wall mount brackets P/N 223000

See last page for more information on options and accessories.

## Merco Guarantee

Ninety (90) days labor; One (1) year parts warranty from date of purchase. Three (3) years on heat tube (excluding light bulbs and lamps).

## Important – Installation Requirements for Standard Overhead Food Warmers: WARNING!!!

Do not install closer to ceiling than ¼-inch (0.25"); to a wall, not closer than 1-inch (1.0") at ends and 3-inches (3.0") at sides. Minimum spacing between two or more units is 8-inches (8.0") at sides. Do not install over combustible materials at a height of less than 12-inches (12.0"). For electrical supply connections use wire suitable for 90°C.

## Specifications (Standard 8-inch-depth models)

Model #	Voltage/Amps			Watts	Length inch/cm	Net Wt. lbs/kg	Ship Wt. lbs/kg	Ship Vol. cu ft/cu m
	120V	120/208V	120/240V					
EZFW-18X	4.6	2.6	2.3	550	18/45.7	7/3.2	8/3.6	0.5/0.01
EZFW-24X	5.7	3.3	2.8	680	24/61	8/3.6	9/4.1	0.5/0.01
EZFW-30X	6.3	3.6	3.1	750	30/76.2	9/4.1	10/4.5	0.75/0.02
EZFW-36X	6.9	4.0	3.4	825	36/91.4	10/4.5	11/5	0.75/0.02
EZFW-48X	9.2	5.3	4.6	1100	48/121.9	11.5/5.2	13/5.9	1/0.03
EZFW-54X	11.9	6.9	6.0	1430	54/137.2	13.5/6.1	15/6.8	1/0.03
EZFW-60X	12.5	7.2	6.3	1500	60/152.4	15.5/7	17/7.7	1/0.03
EZFW-72X	13.8	7.9	6.9	1650	72/182.9	16.5/7.5	18/8.2	1/0.03

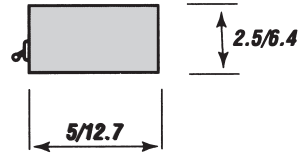
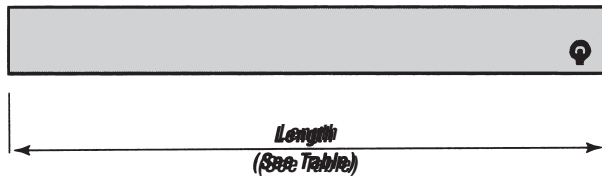
## (Standard direct wired heat tubes)

Model #	Voltage/Amps			Watts	Length inch/cm	Net WT. lbs/kg	Ship Wt. lbs/kg	Ship Vol. cu ft/cu m
	120V	120/208V	120/240V					
FWM-18X	4.6	2.6	2.3	550	18/45.7	7/3.2	8/3.6	0.5/0.01
FWM-24X	5.7	3.3	2.8	680	24/61	8/3.6	9/4.1	0.5/0.01
FWM-30X	6.3	3.6	3.1	750	30/76.2	9/4.1	10/4.5	0.75/0.02
FWM-36X	6.9	4.0	3.4	825	36/91.4	10/4.5	11/5	0.75/0.02
FWM-48X	9.2	5.3	4.6	1100	48/121.9	11.5/5.2	13/5.9	1/0.03
FWM-54X	11.9	6.9	6.0	1430	54/137.2	13.5/6.1	15/6.8	1/0.03
FWM-60X	12.5	7.2	6.3	1500	60/152.4	15.5/7	17/7.7	1/0.03
FWM-72X	13.8	7.9	6.9	1650	72/182.9	16.5/7.5	18/8.2	1/0.03

# Slimline® Models (5-Inch Depth)

EZNW-18X, 24X, 30X, 36X, 48X, 60X, 72X

## Dimensions (inches/cm)



## Merco Guarantee

Ninety (90) days labor; One (1) year parts warranty from date of purchase. Three (3) years on heat tube (excluding light bulbs and lamps).

## Important – Installation Requirements for Standard Overhead Food Warmers: **WARNING!!!**

Do not install closer to ceiling than 2¼-inch (2.25"); to a wall, not closer than 1-inch (1.0") at ends and 3-inches (3.0") at sides. Minimum spacing between two or more units is 8-inches (8.0") at sides. Do not install over combustible materials at a height of less than 18-inches (18.0"). For electrical supply connections use wire suitable for 90°C.

## Bid Specifications for Standard Overhead Food Warmers

The Standard 5-inch deep overhead warmer shall be a Merco model number \_\_\_\_\_, rated at \_\_\_\_\_ watts, \_\_\_\_\_ volts, single phase AC.

Standard equipment shall include

- Stainless steel exterior shell
- On/off switch
- Basic mounting bracket
- Merco EZ-Insert heat tube(s)

## Options

Infinite heat control with integrated pilot light **Note:** Remote is strongly recommended

Remote On/Off Switch

Pilot light (with on/off switch)

Cordset 6-foot, 15 amp (all others, consult factory)

Tandem mount (end-to-end; max. length 12-feet)

Dual mount (side-to-side; 4-inch spacing standard)

Special wattage (consult factory)

"EZ" insert metal heat tube

## Accessories

Chain suspension kit P/N 050003

Ceiling mounting brackets P/N 088316

Wall mount brackets P/N 223000

See last page for more information on options and accessories.

## Specifications

### (Standard 5-inch-depth models)

Model #	Voltage/Amps			Watts	Length inch/cm	Net Wt. lbs/kg	Ship Wt. lbs/kg	Ship Vol. cu ft/cu m
	120V	120/208V	120/240V					
EZNW-18X	4.6	2.6	2.3	550	18/45.7	5/2.3	6/2.7	0.5/0.01
EZNW-24X	5.7	3.3	2.8	680	24/61	6/2.27	7/3.2	0.5/0.01
EZNW-30X	6.3	3.6	3.1	750	30/76.2	7/3.2	8/3.6	0.5/0.01
EZNW-36X	6.9	4.0	3.4	825	36/91.4	8/3.6	9/4.1	0.75/0.02
EZNW-48X	9.2	5.3	4.6	1100	48/121.9	9.5/4.3	11/5	0.75/0.02
EZNW-60X	12.5	7.2	6.3	1500	60/152.4	12.5/5.7	14/6.4	0.75/0.02
EZNW-72X	13.8	7.9	6.9	1650	72/182.9	14.5/6.6	16/7.3	1/0.03

### (Standard direct wired heat tubes)

Model #	Voltage/Amps			Watts	Length inch/cm	Net Wt. lbs/kg	Ship Wt. lbs/kg	Ship Vol. cu ft/cu m
	120V	120/208V	120/240V					
NWM-18X	4.6	2.6	2.3	550	18/45.7	5/2.3	6/2.7	0.5/0.01
NWM-24X	5.7	3.3	2.8	680	24/61	6/2.27	7/3.2	0.5/0.01
NWM-30X	6.3	3.6	3.1	750	30/76.2	7/3.2	8/3.6	0.5/0.01
NWM-36X	6.9	4.0	3.4	825	36/91.4	8/3.6	9/4.1	0.75/0.02
NWM-48X	9.2	5.3	4.6	1100	48/121.9	9.5/4.3	11/5	0.75/0.02
NWM-60X	12.5	7.2	6.3	1500	60/152.4	12.5/5.7	14/6.4	0.75/0.02
NWM-72X	13.8	7.9	6.9	1650	72/182.9	14.5/6.6	16/7.3	1/0.03