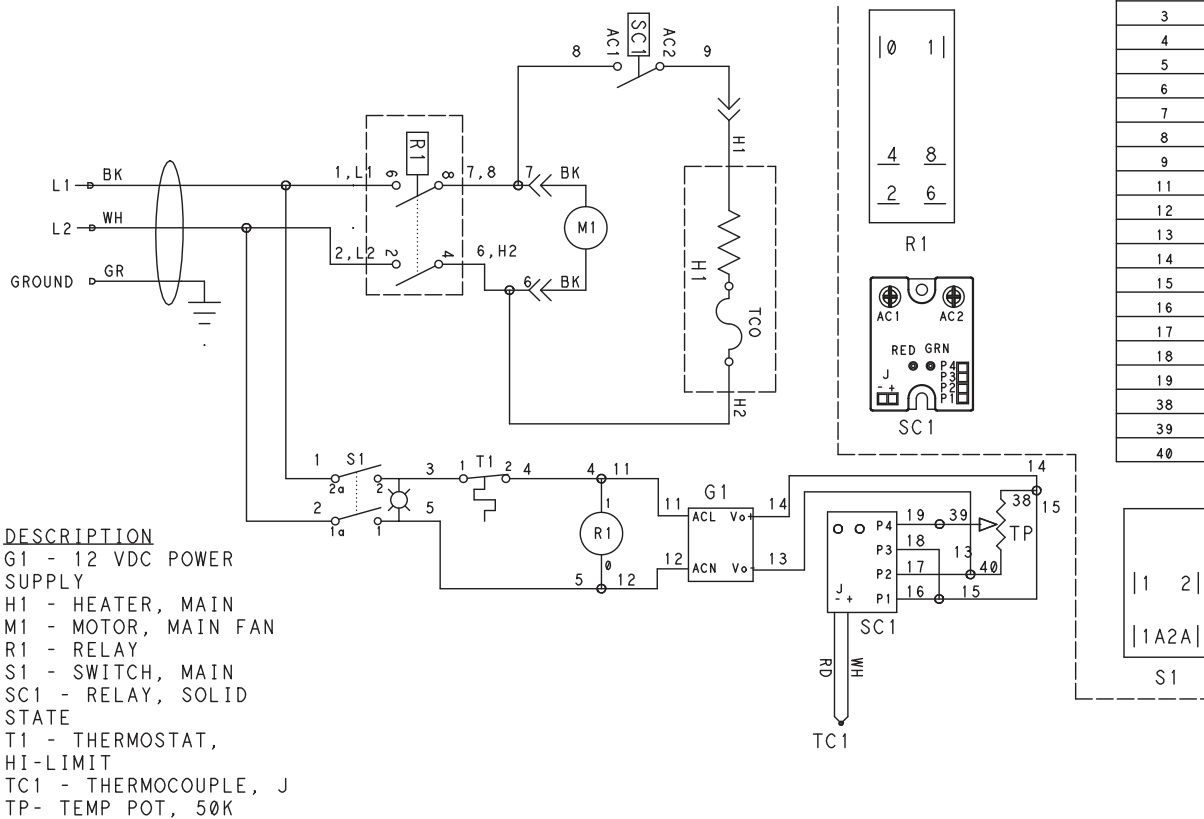


# Diagram

## Fried Food Holding Station

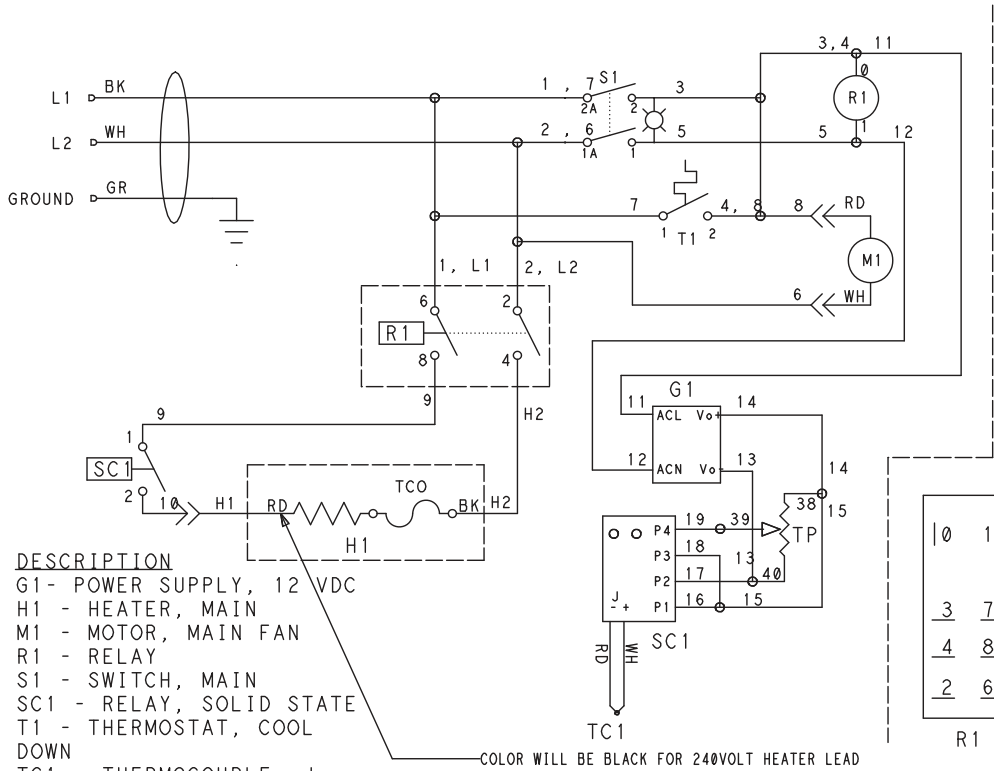
### FFHS MODELS

#### Models FFHS10A, FFHS16A, FFHS16F & FFHS16H



WIRE TABLE	
WIRE #	WIRE COLOR
1	BLACK
2	WHITE
3	BLACK
4	BLACK
5	WHITE
6	WHITE
7	BLACK
8	RED
9	RED
11	BLACK
12	WHITE
13	LT. BLUE
14	PINK
15	PINK
16	PINK
17	LT. BLUE
18	ORANGE
19	WHITE
38	RED
39	WHITE
40	BLUE

**Model FFHS27A & FFHS32A**

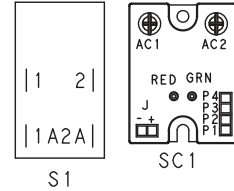


**DESCRIPTION**

- G1 - POWER SUPPLY, 12 VDC
- H1 - HEATER, MAIN
- M1 - MOTOR, MAIN FAN
- R1 - RELAY
- S1 - SWITCH, MAIN
- SC1 - RELAY, SOLID STATE
- T1 - THERMOSTAT, COOL DOWN
- TC1 - THERMOCOUPLE, J
- TP - TEMP. POT., 50K

COLOR WILL BE BLACK FOR 240VOLT HEATER LEAD

WIRE TABLE	
WIRE #	WIRE COLOR
1	BLACK
2	WHITE
3	BLACK
4	BLACK
5	WHITE
6	WHITE
7	BLACK
8	BLACK
9	RED
10	RED
11	BLACK
12	WHITE
13	LT. BLUE
14	PINK
15	PINK
16	PINK
17	LT. BLUE
18	ORANGE
19	WHITE
38	RED
39	WHITE
40	BLUE



**Series 27000 Models FFHS-10 (CE) & FFHS-16 (CE)**

